

AMC-ANT-2J6026P

Iridium certified adhesive mount antenna

Features

- Iridium
 - 1616 – 1627MHz
- Iridium certified
- Adhesive mount
- Low profile
- High performance
- Ground plane independent
- Dimensions: 80 x 76 x 16mm
- Customisable cable and connector



1. Antenna and electrical specifications

Parameters	Iridium antenna
Standards	Iridium
Band (MHz)	1621
Frequency (MHz)	1616 - 1627
Return Loss (dB)	~-18.8
VSWR	~1.2:1
Efficiency (%)	~76
Peak Gain (dBi)	~4.5
Average Gain (dB)	~-1.1
Impedance (Ohms)	50
Axial Ratio (dB)	3 max.
Polarisation	RHCP
Radiation Pattern	Hemispherical
Connector Type	SMA male standard (other connectors available)
Cable Length	300cm standard (other lengths available)
Cable Type	LMR100 standard (other cables available)

Measurement conditions:

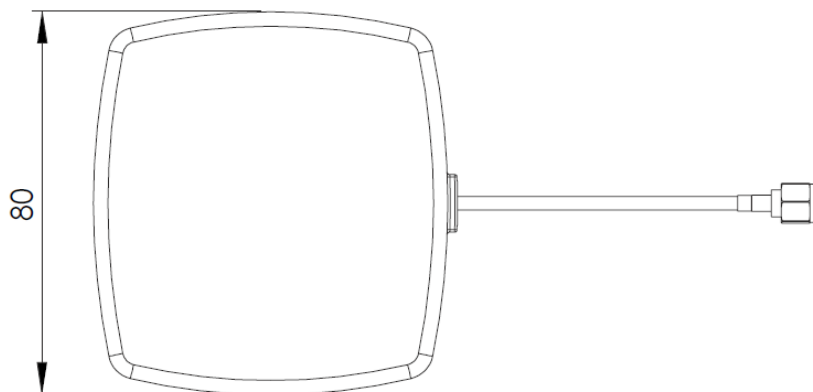
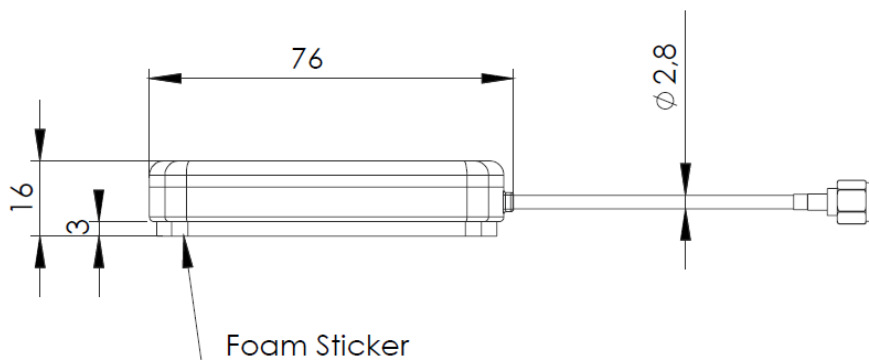
- Free space
- No cable
- Measured in certified CTIA 3D anechoic chamber



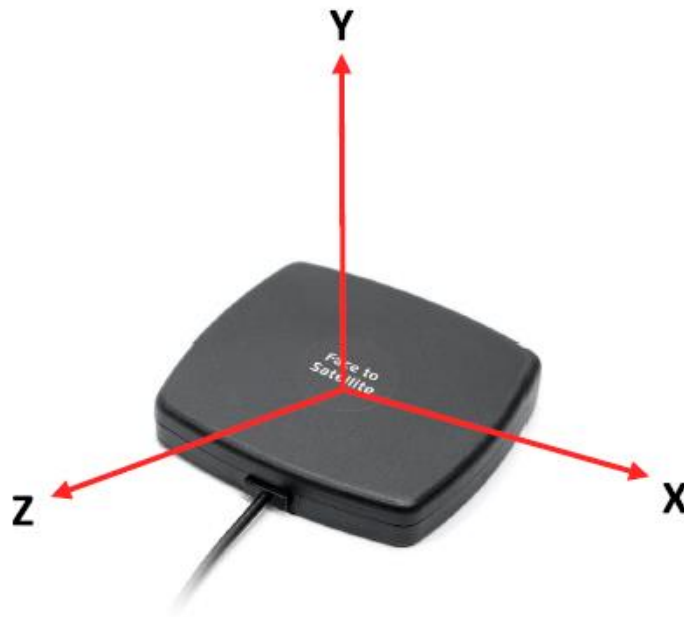
2. Mechanical and environmental specifications

Mounting Type	Adhesive mount
Dimensions (mm)	80 x 76 x 16
Radome Type	ABS
Radome Colour	Black
Operating Temperature (°C)	-40 to +85
Storage Temperature (°C)	-40 to +85
Substance Compliance	RoHS
Certificates	Iridium Certified

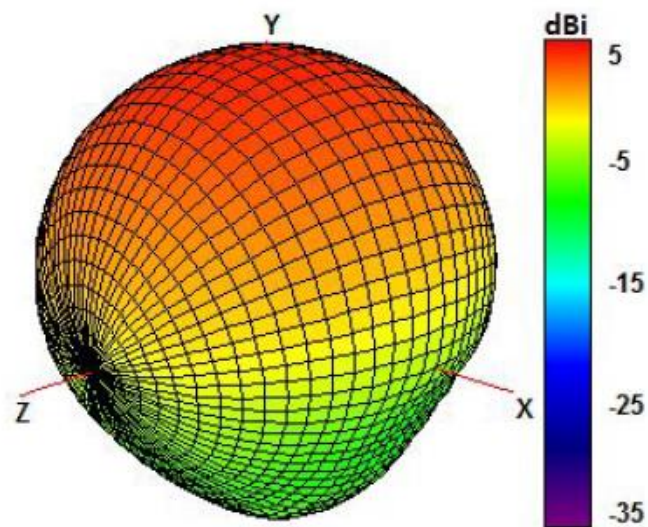
3. Antenna drawing



4. Antenna parameters



Radiation pattern reference



1621 MHz Radiation pattern

