

## AMC-ANT-2J1204Bz

### 2G/3G screw mount antenna

#### Features

- Cellular
  - 824 - 960MHz
  - 1710 - 2170MHz
- Screw mount
- High performance
- Ground plane dependent
- Dimensions:  $\varnothing$  29 x 66.3mm
- Customisable cable and connector



## 1. Antenna and electrical specifications

Parameters	Cellular Antenna	
Standards	2G and 3G	
Band (GHz)	850/900	1700/1800/1900/2100
Frequency (MHz)	824 - 960	1710 - 2170
Return Loss (dB)	~-15.8	~-13.0
VSWR	~1.6:1	~1.7:1
Efficiency (%)	~52.2	~40.7
Peak Gain (dBi)	~1.3	~0.6
Average Gain (dB)	~-2.9	~-4.2
Impedance (Ohms)	50	
Polarisation	Linear	
Radiation Pattern	Omni-Directional	
Max. Input Power (W)	100	
Connector Type	SMA male standard (other connectors available)	
Cable Length	3 metres standard (other lengths available)	
Cable Type	RG58 standard (other cables available)	

### Measurement conditions:

- Mounted on 30 x 30cm ground plane
- 2 metres RG58 cable
- Measured in certified CTIA 3D anechoic chamber

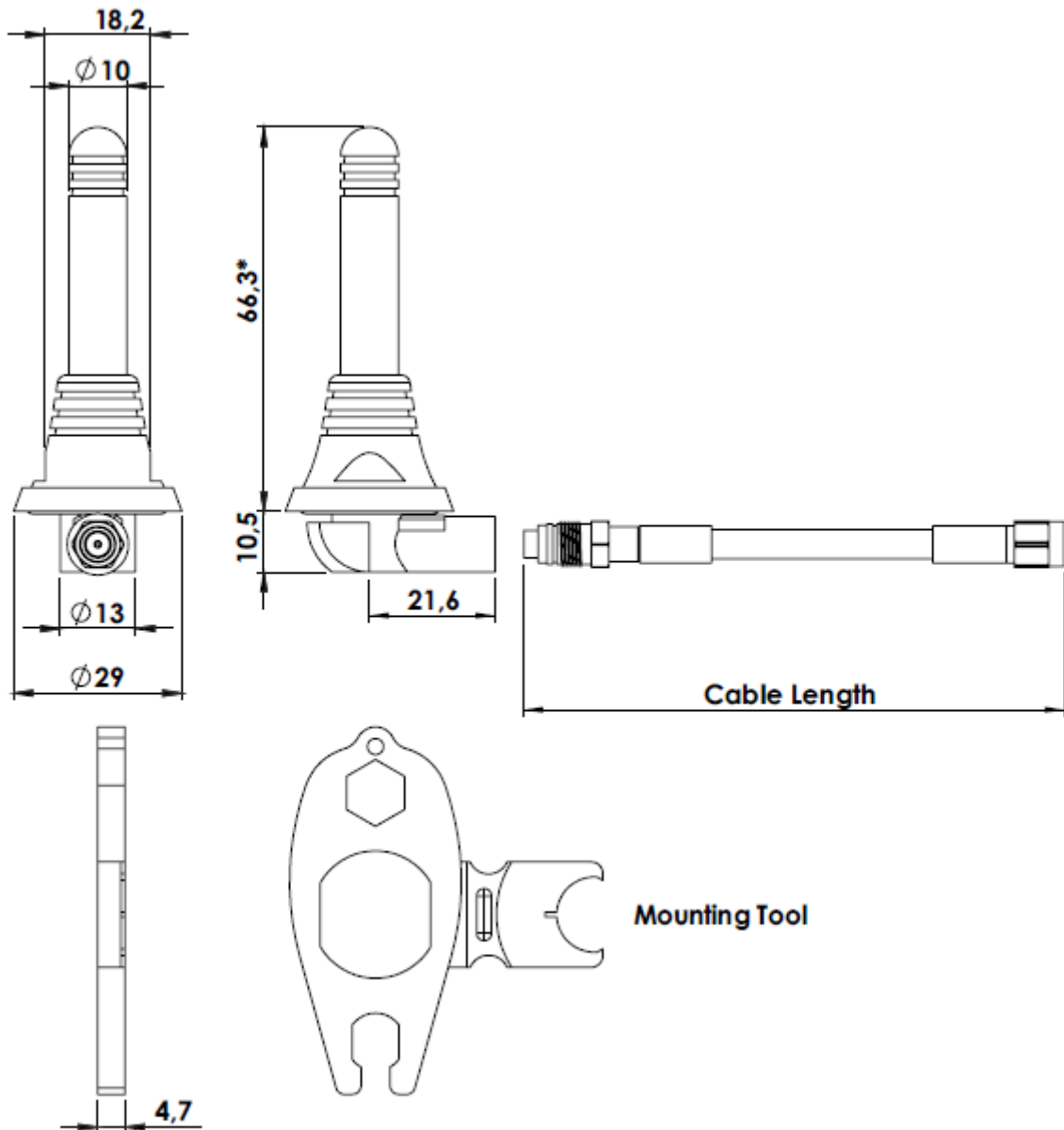


## 2. Mechanical and environmental specifications

<b>Mounting Type</b>	Screw mount
<b>Dimensions (mm)</b>	Ø 29 x 66.3
<b>Radome</b>	ASA
<b>Colour</b>	Black
<b>Operating Temperature (°C)</b>	-40 to +85
<b>Storage Temperature (°C)</b>	-40 to +85
<b>Substance Compliance</b>	RoHS



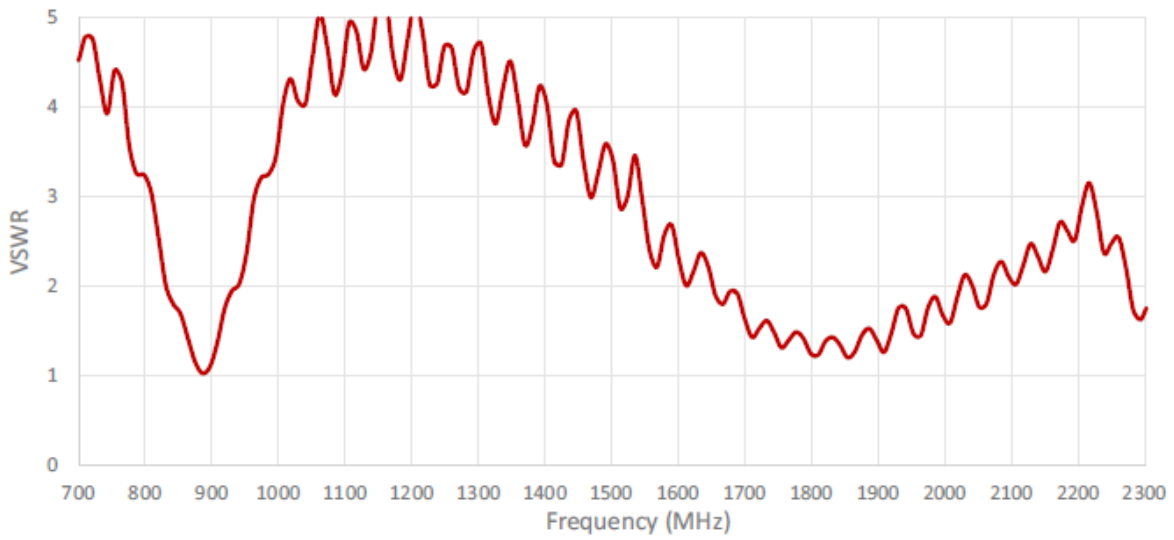
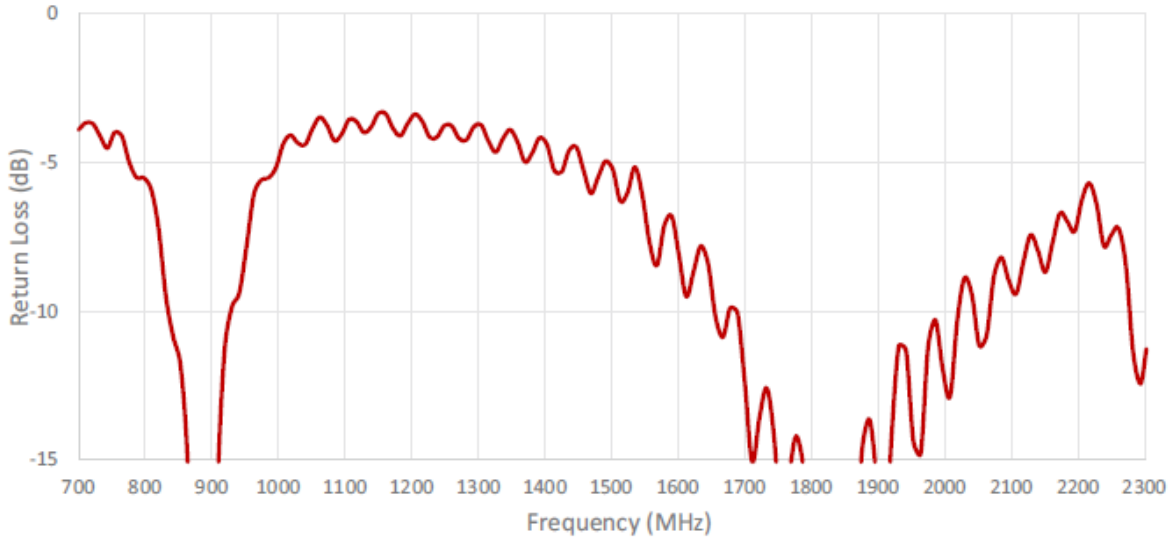
### 3. Antenna drawings

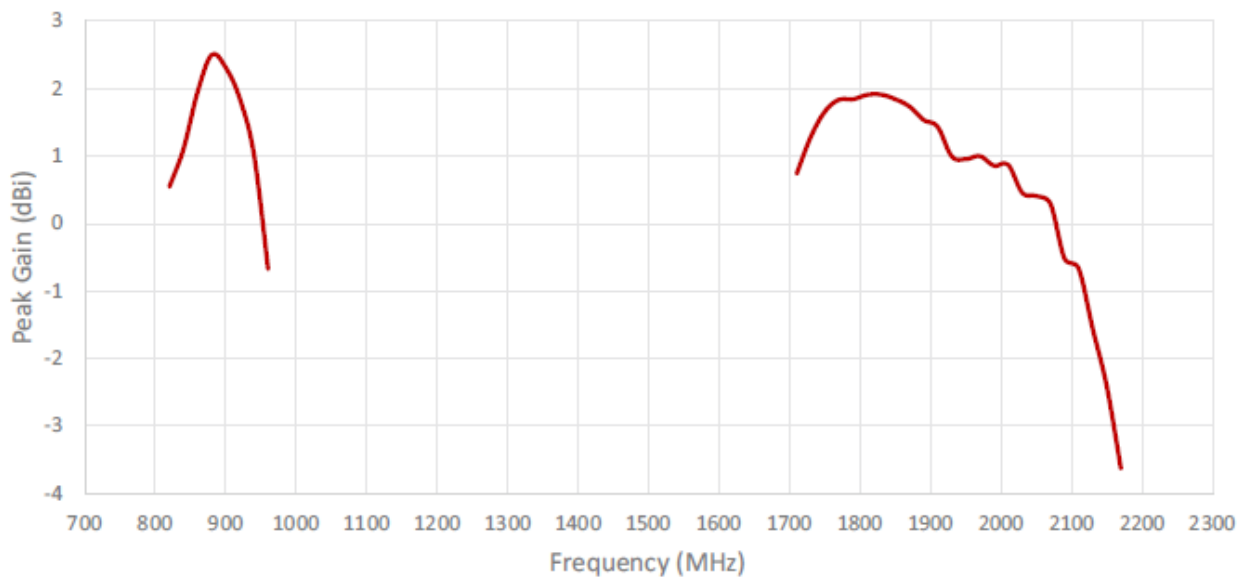
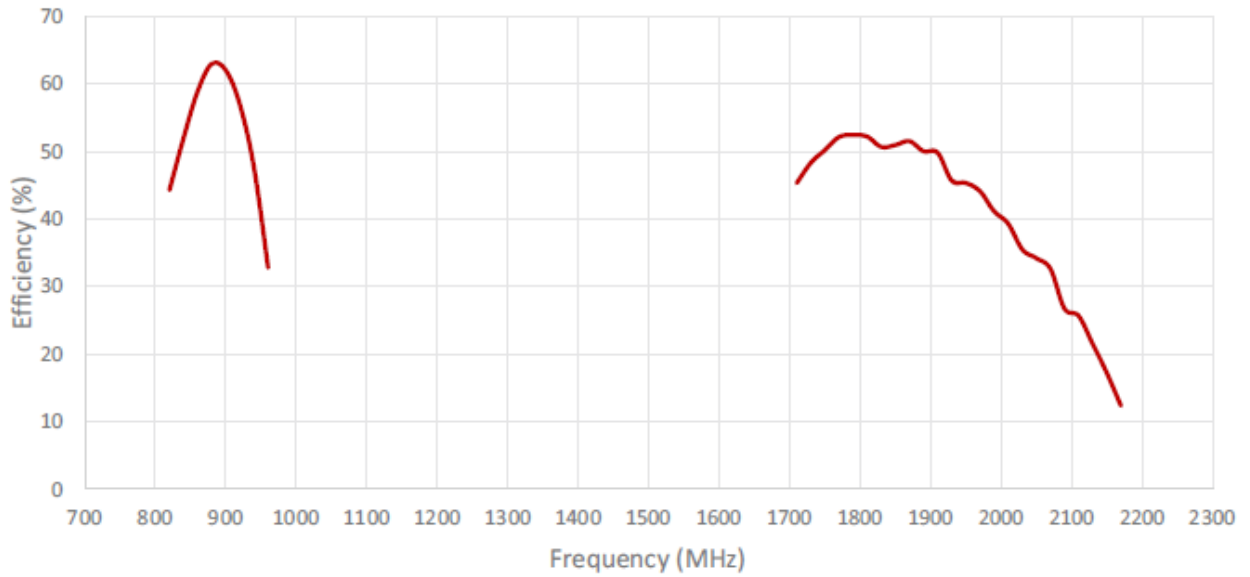


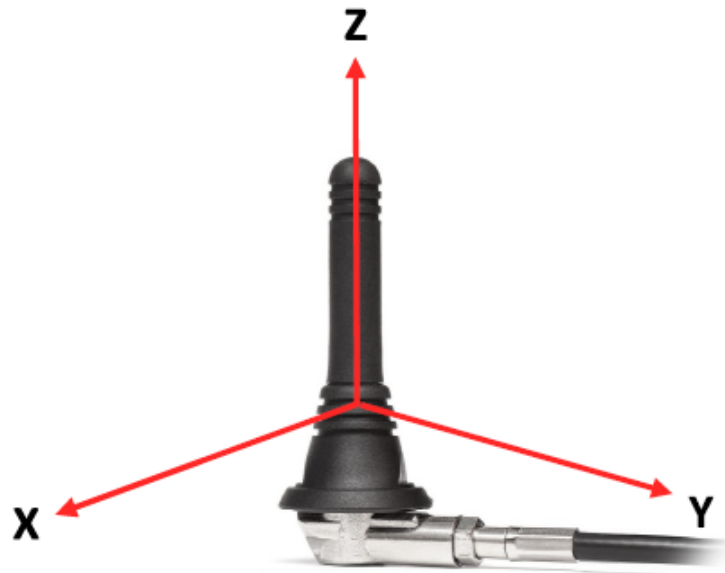
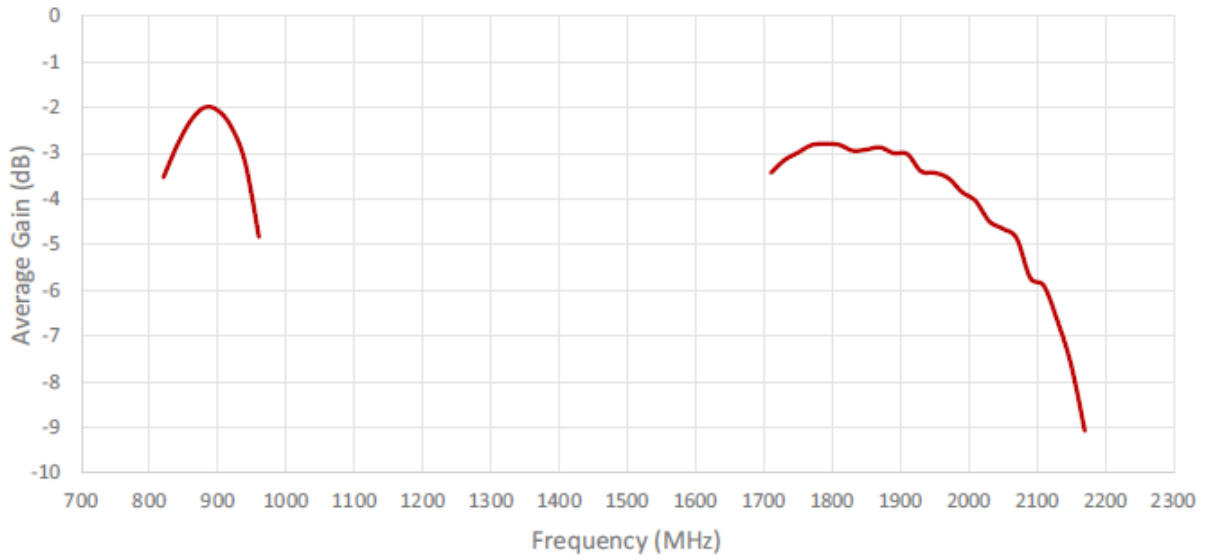
Note: Dimensions are in millimeters  
\*Dimensions are after mounting



#### 4. Antenna Parameters

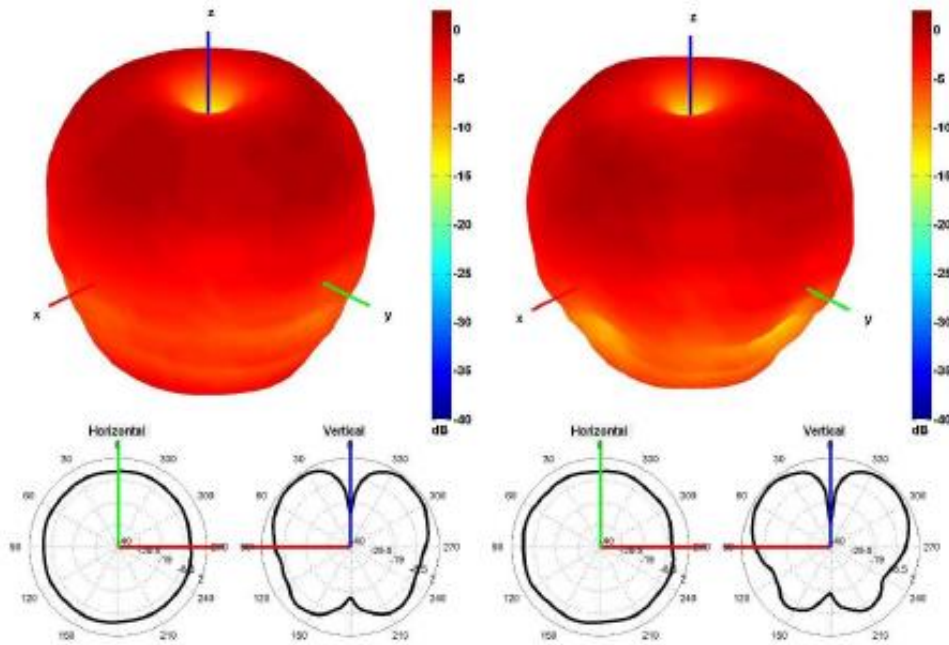




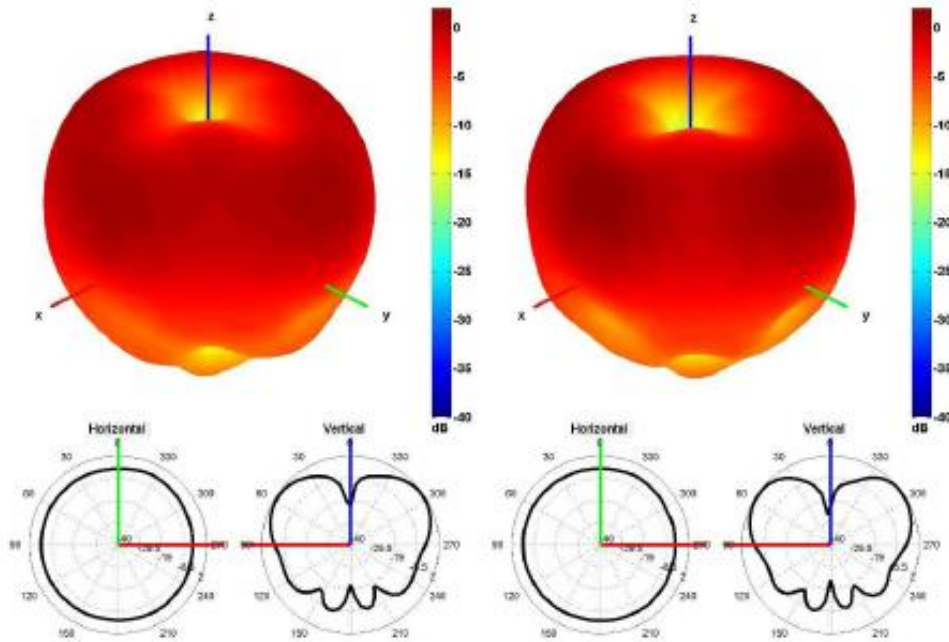


Radiation pattern reference





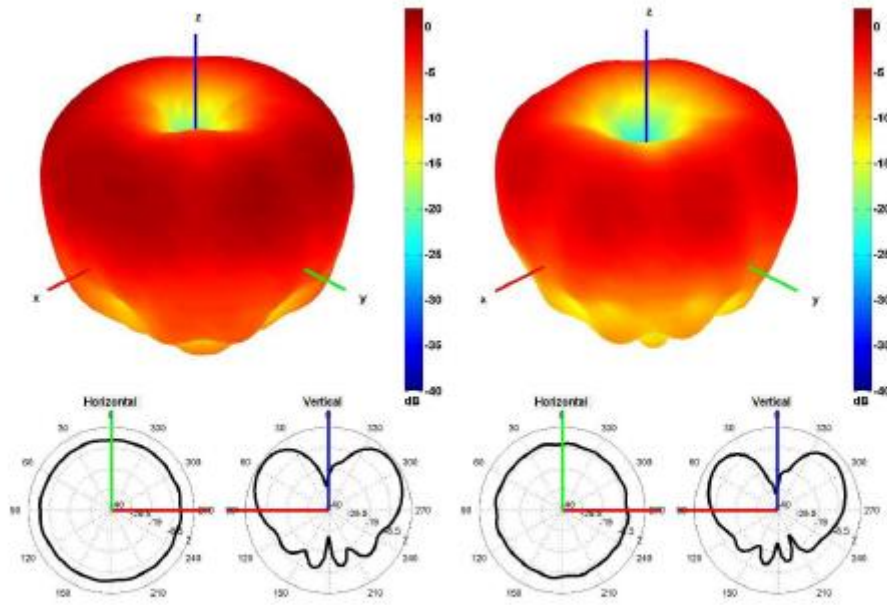
850 and 940 MHz Radiation pattern



1750 and 1850 MHz Radiation pattern







1950 and 2100 MHz Radiation pattern

