

AMC-ANT-2JM0601F

GPS L1 ceramic active antenna

Features

- **GPS/QZSS/Galileo**
 - 1575MHz
- Embedded antenna
- Pre-filter
- 14dB gain
- Low noise figure
- Low power consumption
- Ground plane independent
- Dimensions: 25 x 25 x 7.6mm
- Customisable cable length and connector



1. Antenna and electrical specifications

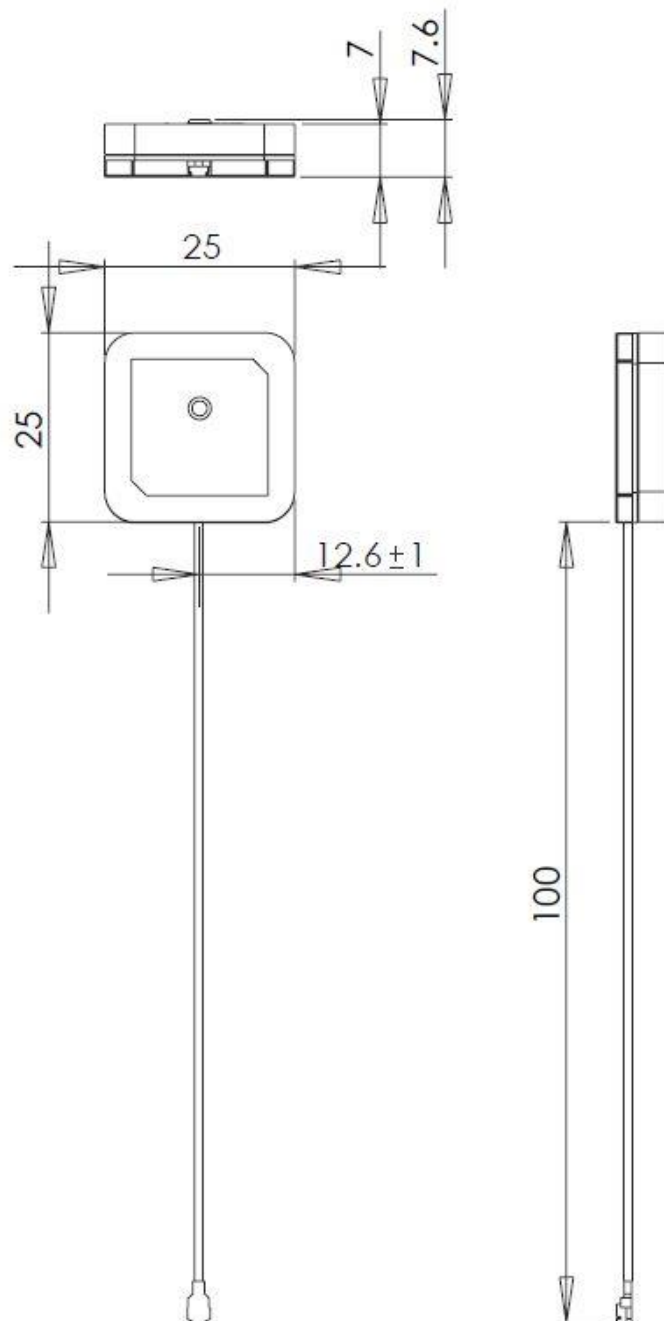
Parameters	GNSS ceramic active antenna
Standards	GPS/QZSS/Galileo
Band (MHz)	1575
Frequency (MHz)	1575.42
Passive gain (dBi)	~3.6
Impedance (Ohms)	50
Radiation pattern	Hemispherical
Voltage range (V)	1.5 – 3.6
Active gain (dB)	14 @ 2.7V
Noise figure (dB)	1.5 @ 2.7V
Current consumption (mA)	4 @ 2.7V
Power consumption (mW)	10.8 @ 2.7V
SAW filter type	Pre-filter
Out of band rejection (dBc)	43
ESD protection (kV)	6
Connector type	U.FL standard (other connectors optional)
Cable length	100mm standard (other cable lengths optional)
Cable type	1.37mm mini-coax standard (other cable types optional)

2. Mechanical and environmental specifications

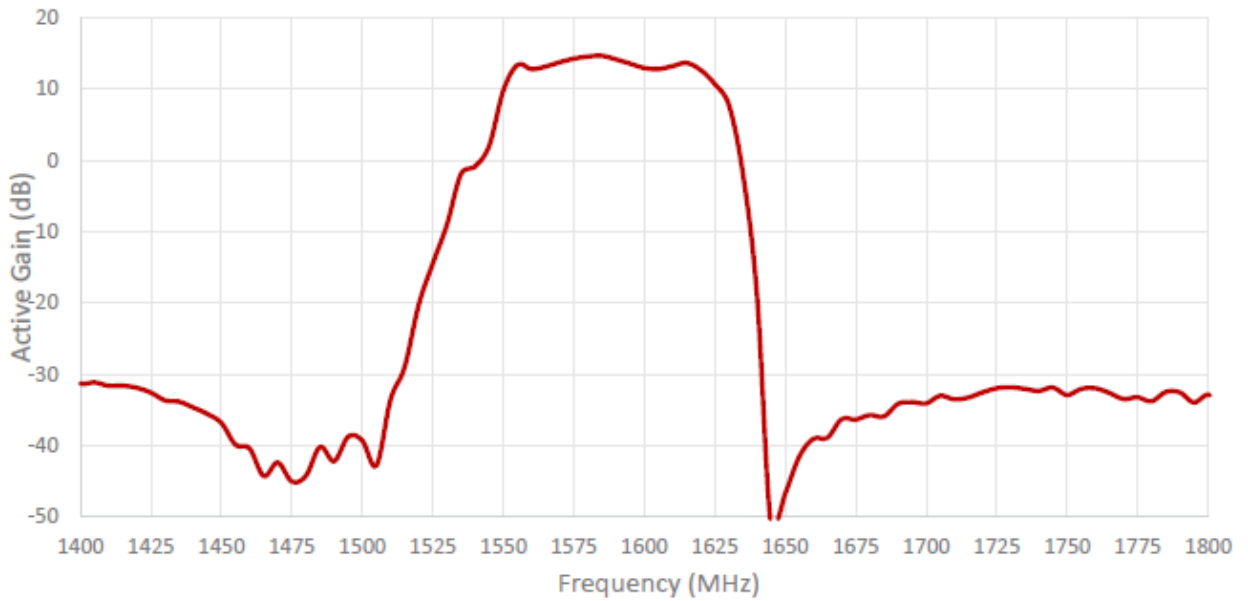
Dimensions (mm)	25 x 25 x 7.6
Operating temperature (°C)	-40 to +85
Storage temperature (°C)	-40 to +85
Substance compliance	RoHS



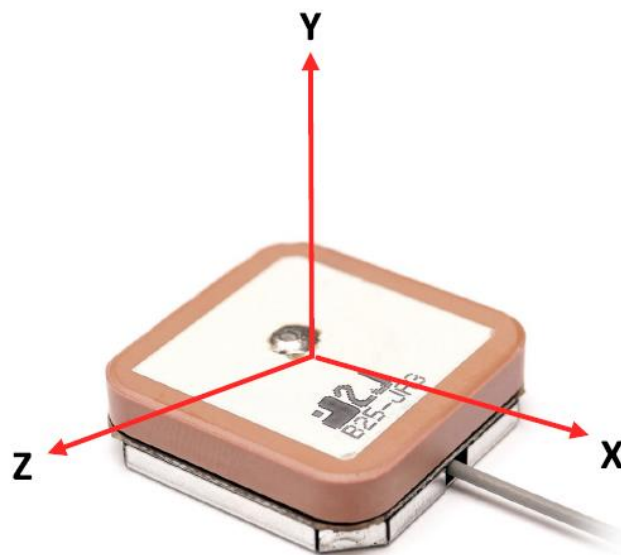
3. Antenna drawings



4. Antenna parameters

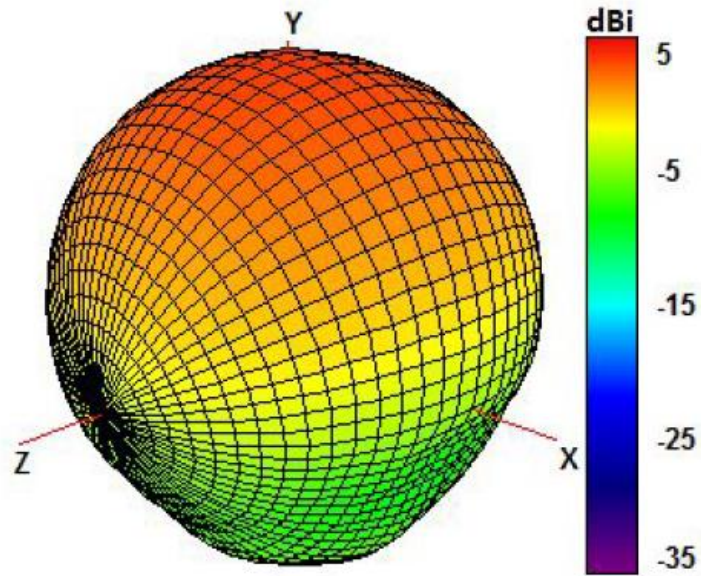


* Measured at 2.7 V



Radiation pattern reference





1575 MHz Radiation pattern

