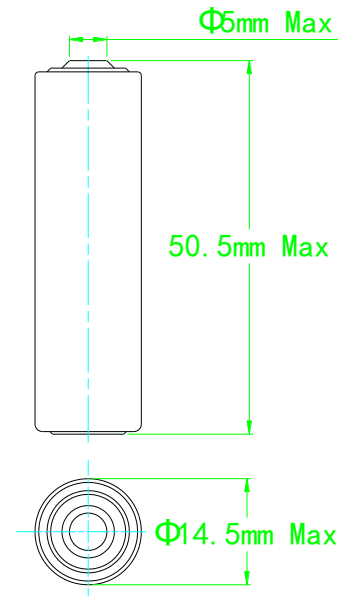


AMC-BATT-LTCER14505-01

Lithium Thionyl Chloride AA battery

Bobbin Type



Key features

- High and stable operating voltage
- Low self-discharge rate (less than 1% after 1 year's storage at 25°C)
- Long storage life
- Stainless steel housing (low magnetic attraction)
- Wide operating temperature range
- Hermetic glass-to-metal sealing
- Non-flammable electrolyte
- CE, SGS recognised, ISO 9001 approval

BONREX Quality batteries

Alpha Micro Components: Tel: +44 1256 851770 | email: sales@alphamicro.net

www.alphamicro.net

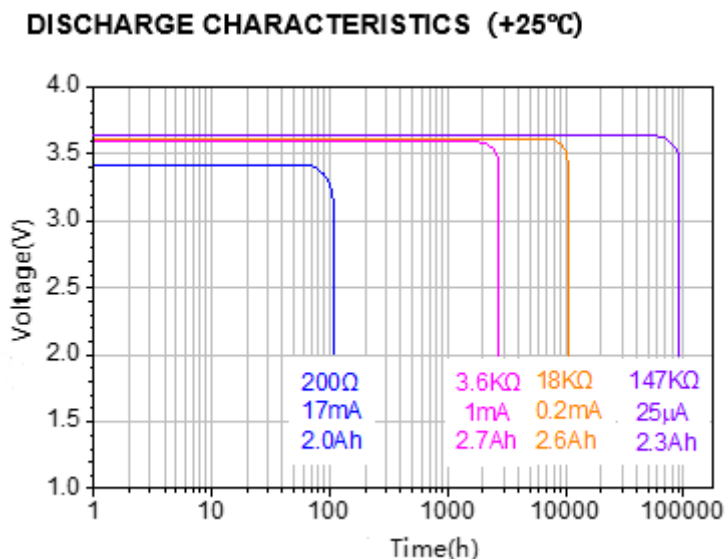


Electrical Characteristics

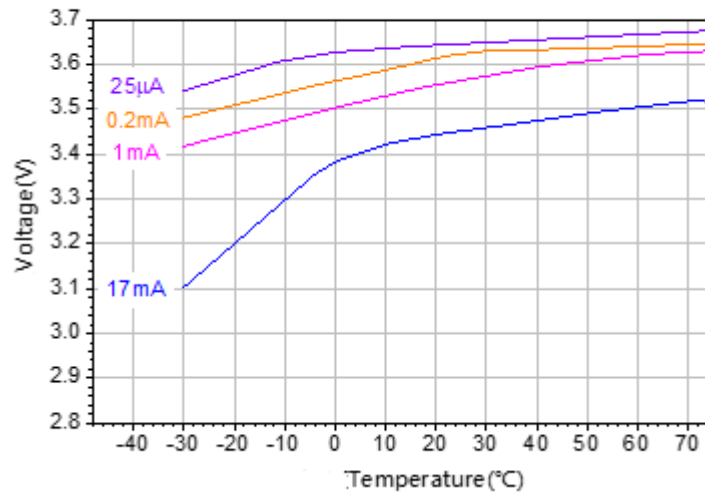
- Nominal capacity: 2.7Ah (1mA,+25°C 2V cut off. The capacity restored by the cell varies according to current drain, temperature and cut-off)
- Nominal voltage: 3.6V
- Max. continuous current: 50mA
- Max. pulse capability: 100mA
- Operating temperature range: -60°C ~ +85°C (Operation at temperatures different from ambient may lead to reduced capacity and lower voltage plateau readings)
- Recommended storage temperature: 30°C max.
- Weight: Approx. 19g

Applications

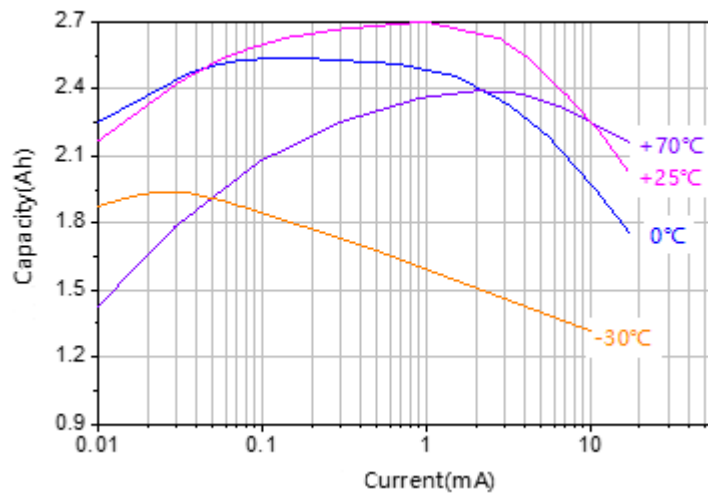
- Utility metering
- Memory back-up
- Alarms and security devices
- Tollgate systems
- Automotive electronics
- Professional electronics
- GNSS positioning tracking
- Real-time clocks



VOLTAGE VERSUS TEMPERATURE



CAPACITY VERSUS CURRENT



WARNING

- ✧ It is strictly forbidden to have the battery positive and negative short circuit, charging, discharging, heating over 100 °C, remove, anatomy, or may cause explosion, combustion, internal acid leakage.
- ✧ Prohibit direct welding in the surface of the battery, should use in advance set with wire or lead battery .
- ✧ Can not use mixed with old and new battery or mixed use different kinds battery.
- ✧ Don't assemble the batteries from different manufacturers.
- ✧ Do not use the battery over the temperature range.
- ✧ Discharged battery should be buried deeply in the ground.