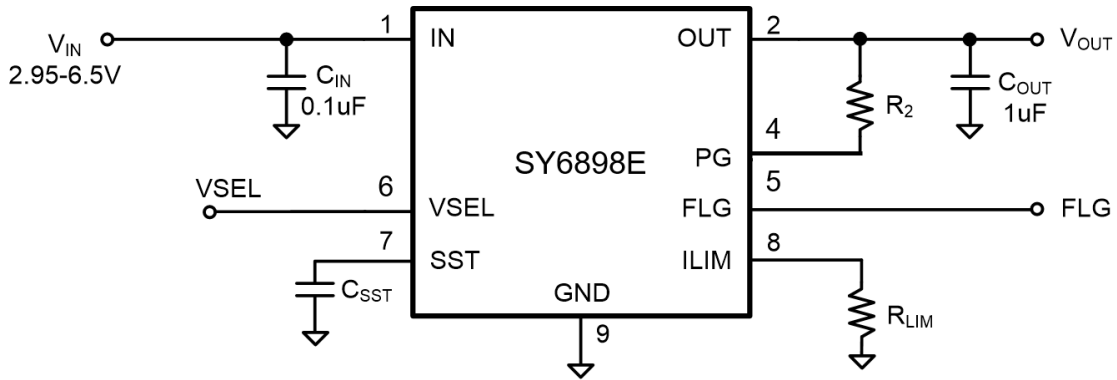




SY6898E

Programmable 5A Protection Switch

With protection against 18V surge & -6V Hot-plug transients



FEATURES

Input Voltage 2.95V to 6.5V with **surge up to 18V**

Withstands **-6V Input Voltage** whilst blocking the Power Path during Hot-Plug

Extremely Low Power Path Resistance: 30mΩ(typ) at 3V Vin Condition

5A Output Current Capability

Programmable Current Limit & Soft-start Time

Short-circuit Protection

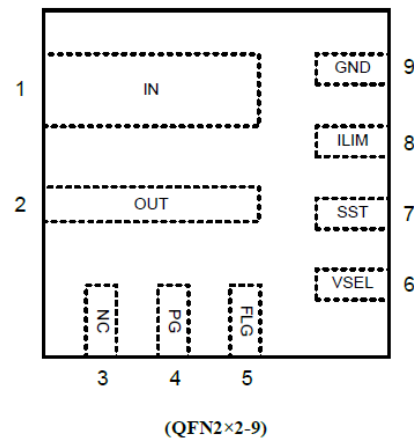
Selectable Clamping Output Voltage Threshold

Power Good Indicator Pin for Operation Status

FLG Indicator Pin for Input Voltage Status

Thermal Shutdown Protection & Auto Recovery

Compact package: QFN2×2-9



[WEBLINK: SY6898E](#)

*Highly Configurable - Robust Performance - Compact Footprint
Silergy's SY6898E simplifies the Art of Power Supply Protection*