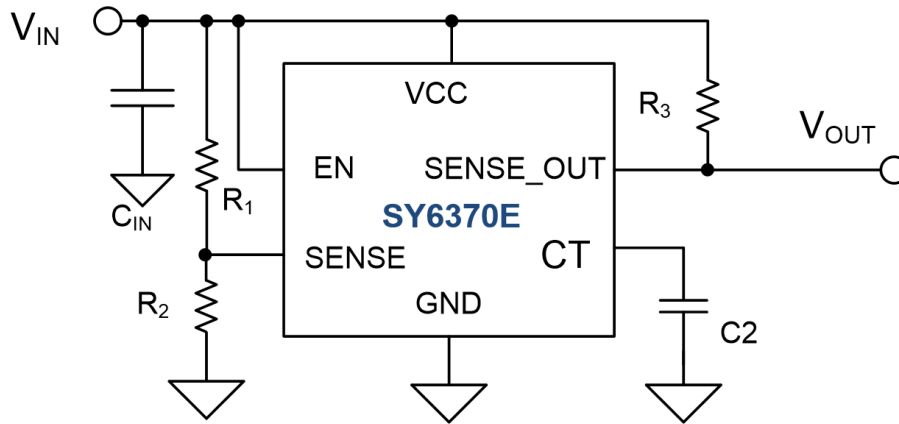




SY6370E/F

1-Ch Configurable Voltage Monitor

With 1% Voltage Threshold Accuracy in Ultra-small package



FEATURES

Input Voltage Range: 1.7V to 6.5V

Adjustable Threshold Down to 500mV

Threshold Accuracy: 1% over temperature range

SY6370E with Capacitor-Adjustable 'Sense-to-Out' Delay Time

SY6370F with fixed 200ns 'Sense-to-Out' Delay Time

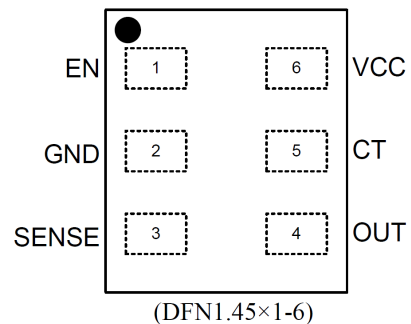
Low Quiescent Current: 9uA (Typ)

External Enable Input

Open Drain Output rated at **18V**

Temperature Range: **-40° to 125°**

Compact DFN1.45mm x 1.0mm - 6



WEBLINK: [SY6370E](#) & [SY6370F](#)

*Highly Configurable - Robust Performance - Compact Footprint
Silergy's SY6370E/F simplifies the Art of Power Supply Monitoring*