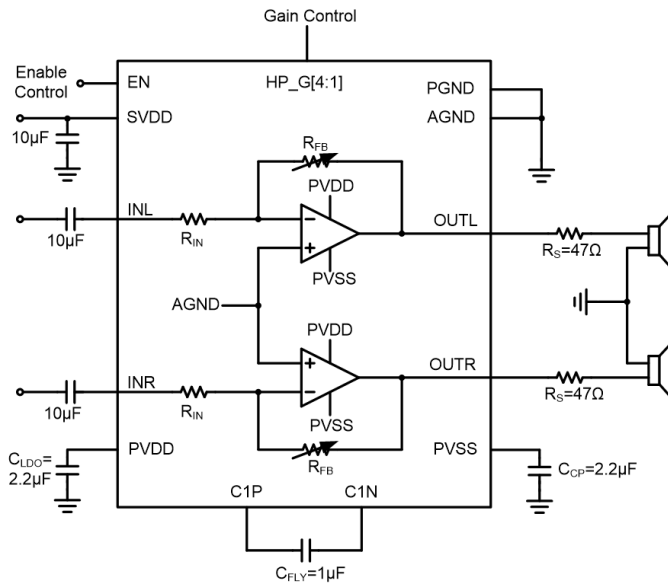




**SY24112**

# Capacitor-less Headphone/Line Driver

*With Built in LDO and Charge Pump*



Feature	SY24112
<b>Output Power (W) @1%THD+N</b>	21mW@3.3V
<b>Voltage Range</b>	2.2~5.5V
<b>I<sub>q</sub> (typ)</b>	9.5mA
<b>I<sub>sd</sub></b>	0.5μA
<b>KSVR</b>	-83dB
<b>SNR</b>	103dB@10mW
<b>Slew rate</b>	3V/μs
<b>Volume control</b>	0~19dB
<b>Channels</b>	Stereo
<b>Protection</b>	SCP/OTP/UVP

## FEATURES

21mW/Ch Output Power into 32Ω Load at 3.3V When R<sub>S</sub>=47Ω

86mW/Ch Output Power into 32Ω Load at 3.3V When R<sub>S</sub>=0Ω

Wide Power Supply Range: 2.2V-5.5V

No Output DC Blocking Capacitors

Reduced Board Area

Reduced Component Cost

Improved THD+N Performance

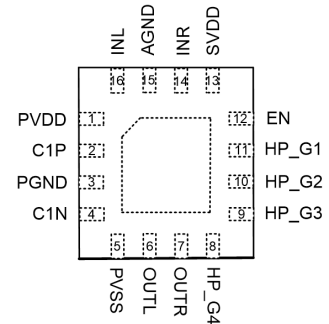
No Degradation of Low Frequency Response Due to Output Capacitors

**Built in LDO and Charge Pump**

Short Circuit Protection, Thermal Protection and Under Voltage Protection

Click and Pop Suppression Circuit

QFN16 3mm x 3mm package



*Highly Configurable - Robust Performance - Compact Footprint*  
*Silergy's SY24112 simplifies the Art of Audio Connectivity*