



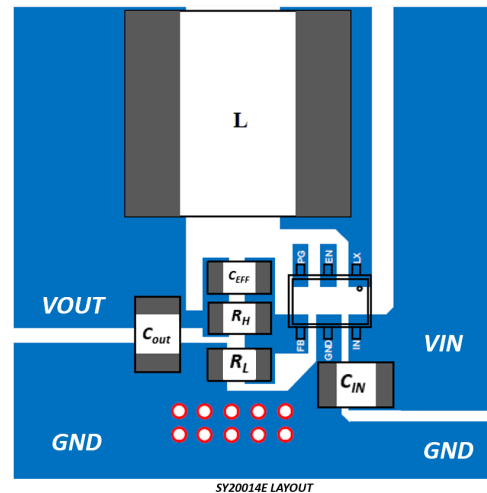
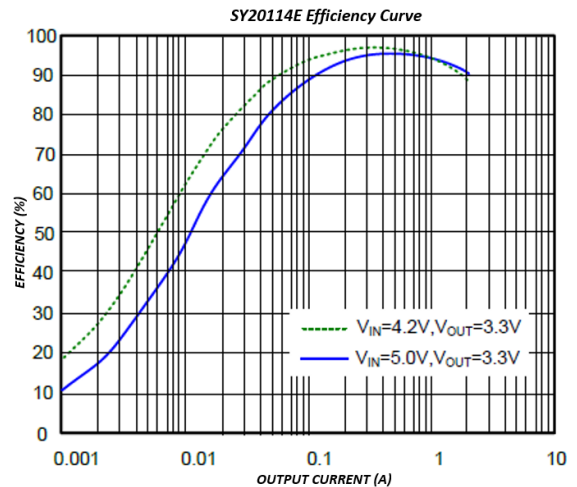
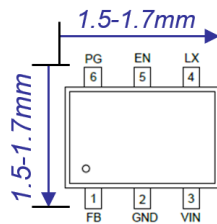
SY20019(E)/114(E)/112(E) DCDC Synchronous Step-Down Regulators

A family of 1A/2A/3A regulators in tiny SOT563 packages

Part Number	Quiescent/Shutdown Current (uA)	V _{IN} (V)	I _{out} (A)	V _{OUT} (V)	F _{sw} (MHz)	Package	Internal Switches HS/LS (mΩ)	Features
SY20019 SY20019E	50/0.1	2.5~5.5	1	0.6*(1+RH/RL)	1.5	SOT563	170/100	PFM (E=FPWM) & PG
SY20114 SY20014E	50/0.1	2.5~5.5	2	0.6*(1+RH/RL)	1.5	SOT563	125/75	PFM (E=FPWM) & PG
SY20112 SY20112E	50/0.1	2.5~5.5	3	0.6*(1+RH/RL)	1.2	SOT563	100/60	PFM (E=FPWM) & PG

FEATURES

- 2.5 to 5.5V Input voltage
- Fully Synchronous with low R_{DS(ON)} switches
- 100% Dropout Operation
- Internal Soft-start -> *limits inrush current*
- V_{ref} 0.6V with +/-1.5% tolerance
- PFM and FPWM (*reliable EMC profile*) operating modes
- High Switching Frequency -> *small external components*
- Power Good (PG) indicator
- Output Auto Discharge function
- Hic-cup mode for Short Circuit Protection
- RoHS and Halogen Free
- Tiny SOT563 package



Highly Efficient -Space Saving - Easy Design - Robust Performance
Silergy's SOT563 regulators simplify the Art of Power Supply Design