

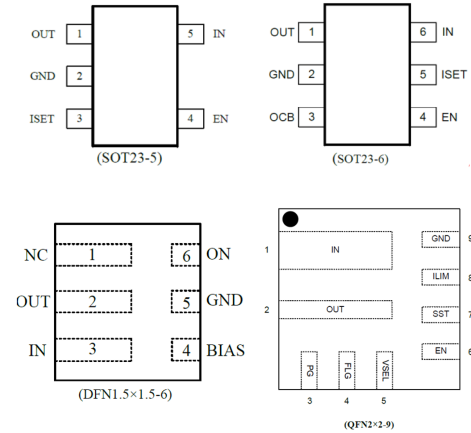
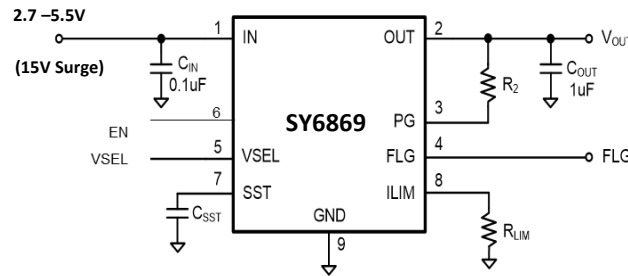


3.3V & 5V 1A-5A Power Distribution Protection Switches

With Extremely LOW RDS(on) MOSFET

Typical Features

- INPUT VOLTAGE : 2.4V to 5.5V & 0.6V to 3.6V
- ENABLE: HIGH or LOW options
- CURRENT LIMIT: FIXED or Resistor settable
- Low RDS(on) MOSFET with reverse blocking
- Configurable Soft-Start and Voltage Clamping
- OUTPUTS: PG, Fault Flag, Current Indication
- PROTECTION: OCP, OVP, OTP
- Compact packages



OVER 60 varieties of device (up to 60V operation available)

Part Number	Package	EN	OCP	OVP	OTP	Ch	Vin (V)	Vout (V)	Iout (A)	Fixed/Adjustable current limit	Switch (mΩ)	Fault Flag	Features
SY6280/A	SOT23-5	H	Y	N	Y	1	2.4-5.5	2.4-5.5	2	Adjustable	63	N	Reverse Blocking A=Auto discharge
SY6288F3	SOT23-6	H	Y	N	Y	1	2.5-5.5	2.5-5.5	3	Adjustable	45	Y	Reverse Blocking
SY6821A	DFN1.5x1.5-6	H	Y	N	Y	1	0.6-3.6	0.6-3.6	4	Fixed	16	N	Reverse Blocking A=Auto discharge
SY6869	DFN2x2-9	H	Y	Y	Y	1	2.7-5.5	2.7-5.5	5	Adjustable	30	Y	Reverse Blocking 15V Surge

*Low Loss - Reverse Blocking - Robust Performance - Small footprint
Silergy's Power Distribution Protection Switches simplify the Art of Protection*