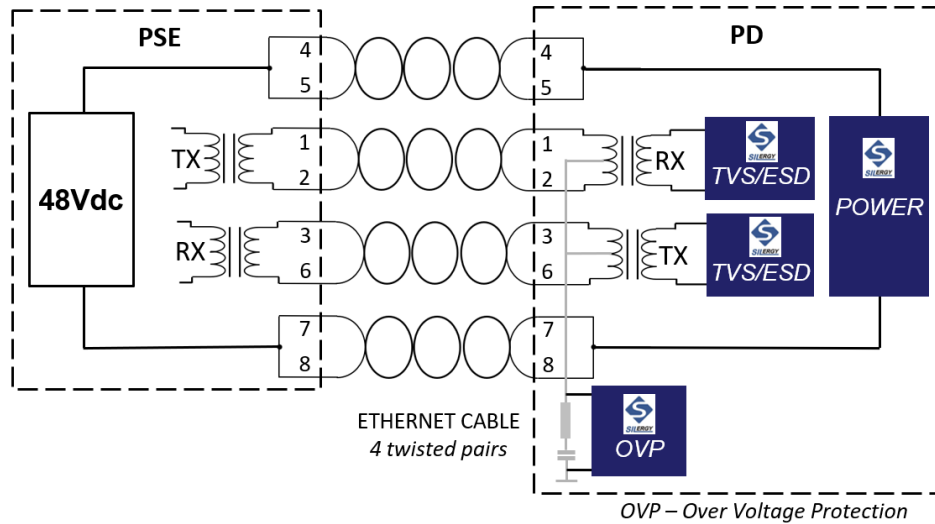




Power over Ethernet Solutions

A range of power solutions for PoE, PoE+ and PoE++
including TVS/ESD/OVP devices for robust RJ45 protection



Part Number	Standard	PD Input Power (W)	FUNCTION	HOTSWAP MOSFET (V)	PACKAGE (mm)	Features
SY23211AQEC	PoE	13	IEEE802.3af PD INTERFACE and DCDC CONVERTOR (150V/0.14Ω)	100 (0.4Ω)	QFN32 (5*5)	PSR, QR
SY23215QYC	PoE+	25.5	IEEE802.3at/af PD INTERFACE and DCDC CONTROLLER (ext FET)	95 (0.4Ω)	QFN20 (4*4)	PSR, QR
SY28902FBC	PoE++	71.3	IEEE802.3bt/at/af PD INTERFACE CONTROLLER	External	MSOP10 (3.0*4.9)	5-Event 100V ABSMAX
SY23214AFAC	PoE++	71.3	FLYBACK CONTROLLER	-	SO8 (3.9*6.0)	PSR, QR
SY23422ABC	PoE++	71.3	SYNCHRONOUS RECTIFIER CONTROLLER	-	SOT23-6 (2.8*2.9)	5V to 15V Vout

Part Number	Standard	FUNCTION	C (pF)	PACKAGE (mm)	Features
SYS11UxxAMC	IEC61000-4-5 (8/20us) 6A-25A	1-ch TVS/ESD	0.6	SOD323 (1.7*1.3)	3V/8V/5V/12V/18V/24V
SYT0xL0xABC	IEC61000-4-5 (8/20us) 20A	4-ch TVS/ESD	3.5	SOT23-6 (2.9*2.8)	06L05 -> 5V 01L03 -> 3.3V
SYS3500AHJC	IEC61000-4-5 (8/20us) 400A and (5/320us) 150A	OVP for RC Termination (Vs=400V)	150	SMB (5.3*3.5)	Bi-directional
SYS4200AHJC	IEC61000-4-5 (8/20us) 400A and (5/320us) 150A	OVP for RC Termination (Vs=520V)	35	SMB (5.3*3.5)	Bi-directional

Highly Efficient -Space Saving - Easy Design - Robust Performance
Silergy's PoE PD Solutions simplify the Art of Power Supply Design