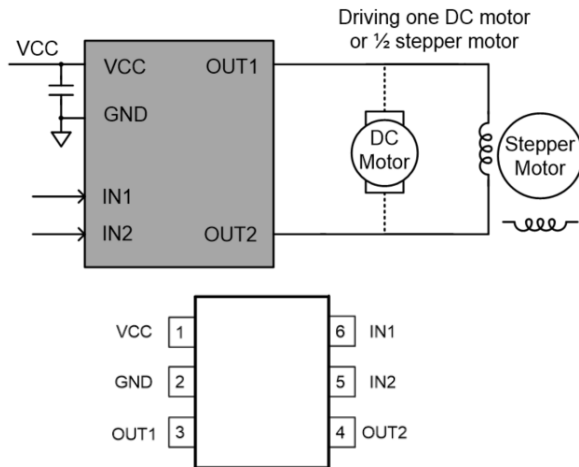




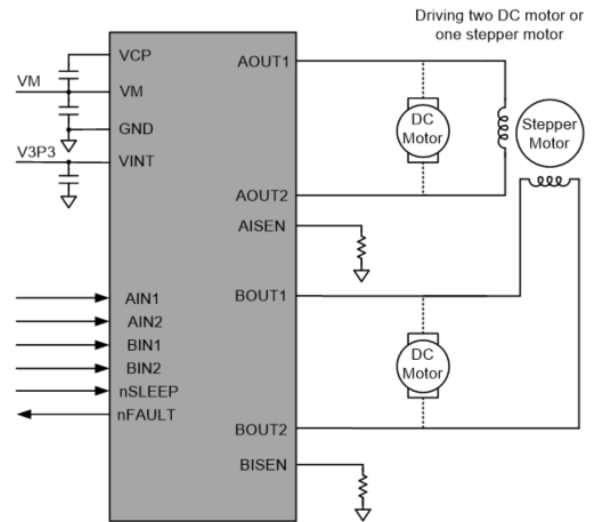
MOTOR CONTROLLERS

*Small Solution size with High drive current capability
and multiple protection features*

SY21605 16V, 1.8A, SOT23-5



SY21603 16V, 2A, QFN4x4-16



P/N	Full Bridge Outputs	Supply (V) [<i>absMax</i>]	Iout (A)	Current Regulation	Package	Features
SY21602	Single	2.5 - 16[20]	1.8	N	DFN2x2	OCP, SCP, UVLO, OTP
SY21605	Single	2.5 - 12[16]	1.8	N	SOT23-6	OCP, SCP, UVLO, OTP
SY21607B	Single	8 - 32[40]	3.5	Y	SO8E	OCP, SCP, UVLO, OTP
SY21634	Single	5 - 32[40]	3.6	Y	SO8E	OCP, SCP, UVLO, OTP
SY21603	Dual	2.5 - 12[16]	2	Y	QFN4x4-16 TSSOP-16E	OCP, SCP, UVLO, OTP, FLT o/p
SY21611	Dual	2.5 - 16[20]	0.8	N	SSOP-10	OCP, SCP, UVLO, OTP, FLT o/p

Silergy's range of motor drivers offer high efficiency, extended operating voltage and higher drive currents in smaller packages with low power sleep modes. Full protection features are supported for Over Current (OCP), Short Circuit (SCP), Under Voltage Lock-Out (UVLO), Over Temperature (OTP) and fault indication flag.

Robust and cost-effective solutions for Industrial control