



HIGH POWER FACTOR LED LIGHTING Solutions

'Mix & Match' your perfect high PF, low THD, low Ripple lighting solution

Silergy offers an extensive range of LED drivers for 1-Stage(CC) or 2-stage(CV + CC) LED lighting architectures with High PF, Low THD, Low Ripple and multiple Dimming options, including TRIAC dimmable solutions with excellent TRIAC compatibility. A range of Adaptive Linear Current Filters are also available to further reduce output Ripple.

DIM	SINGLE STAGE CC	PF	PACKAGE	FET	POWER	DESCRIPTION
N	SY22672 QR CoT Buck Convertor	>0.9	SO8	600V	11W	80V140mA
N	SY22675 QR CoT Buck Convertor	>0.9	SO8	600V	14W	80V180mA
N	SY22676 QR CoT Buck Convertor	>0.9	SO8	600V	17W	80V220mA
N	SY22677 QR CoT Buck Convertor	>0.9	SO8	600V	20W	80V250mA
N	SY22725 QR CoT Buck Convertor	>0.9	SO8	600V	24W	80V300mA
AC	SY22664 Buck-Boost/Flyback PSR Controller	>0.9	SO8	External	40W	PHASE-CUT DIMMABLE Controllers
AC	SY22661B Buck PSR Controller	>0.9	SO10	External	60W	
AC	SY22662D Flyback PSR Controller	>0.9	SO10	External	60W	
N	SY22678 Buck Controller	>0.9	SOT23-6	External	<100W	
N	SY22679B Buck-Boost/Flyback PSR Controller	>0.9	SOT23-6	External	<100W	
PWM/ANA	SY22651 Buck Controller	>0.9	SO8	External	<80W	5% - 100% Dimming
PWM/ANA	SY22652A Buck-Boost/Flyback PSR Controller	>0.9	SO8	External	<80W	5% - 100% Dimming

High PF - Low THD - Low Ripple - Robust Performance
Silergy's LED Drivers simplify the Art of Lighting



HIGH POWER FACTOR LED LIGHTING Solutions

'Mix & Match' your perfect high PF, low THD, low Ripple lighting solution

DIM	STAGE 1 - CV	STAGE 2 - CC	PF	PACK-AGE	FET	POWER/CURRENT	DESCRIPTION	
N	SY22824 CV Boost PFC Controller		>0.9	SOT23-6	External	<200W	THD <10%	
PWM/ ANA		SY22651Z Buck Controller	>0.9	SO8	External	<200W	NEW 2% -100% Dimming	
PWM/ ANA		SY22652Z Flyback PSR Controller	>0.9	SO8	External	<200W	NEW 2% -100% Dimming	
N	SY22743U Boost PFC Convertor		>0.95	SO8	500V	50W	410Vdc @ 120mA	NEW LOW COST 40W-50W Non-Dim Fixture Solution for EU (230Vac)
N	SY22744U Boost PFC Convertor		>0.95	SO8	500V	60W	410Vdc @ 145mA	
N		SY22747 Flyback PSR Convertor	>0.95	DIP8	650V	50W	Floating Switch configuration	
N	SY22650B Flyback PSR Controller		>0.9	SO8	External	100W		
N	SY22655 Flyback PSR Controller		>0.9	SOT23-6	External	60W		
PWM/ ANA		SY22651Z Buck Controller	>0.9	SO8	External	60-100W	2% -100% Dimming	
PWM		SY22643A Buck Convertor	>0.9	SOT23-6	2.5-30V	<500mA	300KHz Buck	
PWM/ ANA		SY22646A Buck Convertor	>0.9	SO8E	12-60V	<800mA	350KHz Buck	
PWM/ ANA		SY22645A Buck Convertor	>0.9	SO8E	10-60V	<2000mA	500KHz Buck	
PWM/ ANA		SY22649 Buck Convertor	>0.9	SO8E	5-80V	<1200mA	500KHz Buck	
PWM/ ANA		SY22648 Buck Convertor	>0.9	SO8E	5-80V	<2000mA	500KHz Buck	

High PF - Low THD - Low Ripple - Robust Performance
Silergy's LED Drivers simplify the Art of Lighting



HIGH POWER FACTOR LED LIGHTING Solutions

'Mix & Match' your perfect high PF, low THD, low Ripple lighting solution

DIM	RIPPLE REMOVER	PACKAGE	FET	POWER/CURRENT	DESCRIPTION
N	SY22601B	SO8	100V	<250mA	Adaptive Linear Current Filter
N	SY22602	SO8	60V	<600mA	Adaptive Linear Current Filter
N	SY22603A	TO252-3	60V	<1200mA	Adaptive Linear Current Filter
N	SY22604	TO220-3	60V	<1500mA	Adaptive Linear Current Filter
PWM/ANA/ Resistive	SY28612	SO14	External	-	Dimming Interface with Ripple Remover

SY2274xU + SY22747

40W-50W 2-Stage Ripple-less Non-Dim

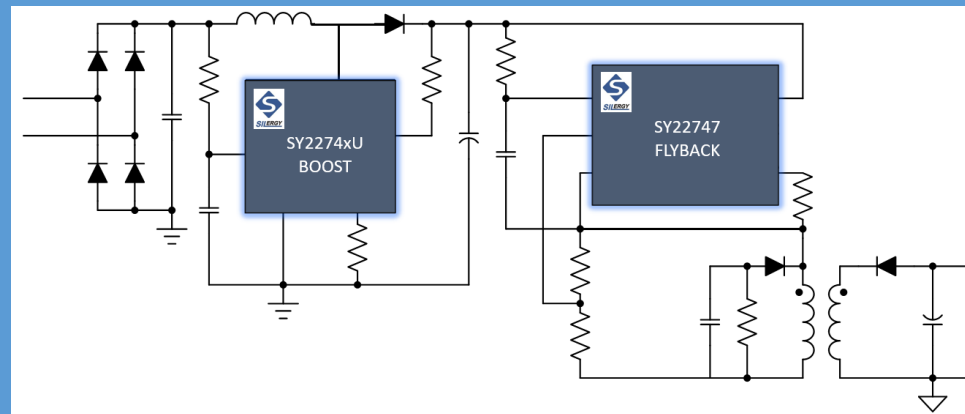
Cost effective solution for 40-50W Fixtures

Integrated MOSFETs

Source driving provides low cost Boost Inductor

Smaller Flyback transformer

PF>0.95, 90% Efficiency, 0.2% Ripple, <10% THD



High PF - Low THD - Low Ripple - Robust Performance

Silergy's LED Drivers simplify the Art of Lighting