

AMC-ANTEGLCP184-12

Type GNSS Ceramic Passive Patch Antenna

Features

- GPS/GLONASS/QZSS/Galileo
 - 1575 - 1606MHz
- Through-hole mount
- High gain
- Ground plane independent
- Dimensions – 18 x 18 x 4mm



Certifications:



Alpha Micro UK: Tel: +44 1256 851770 | email: sales@alphamicro.net

www.alphamicro.net

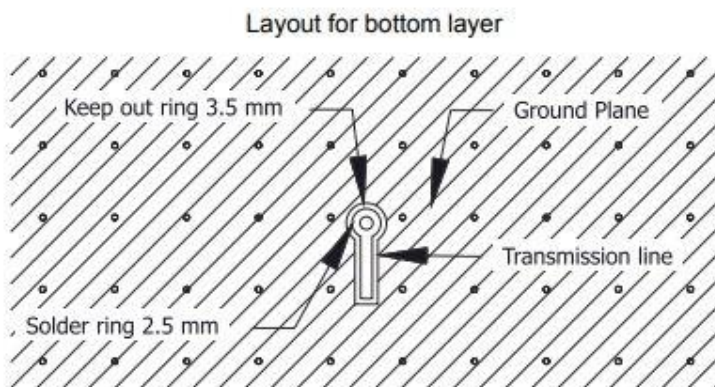
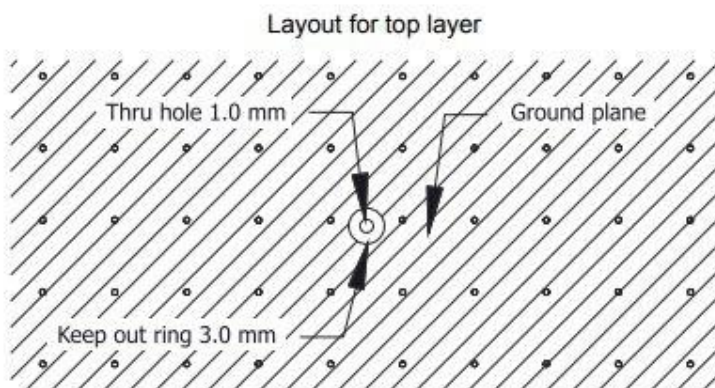
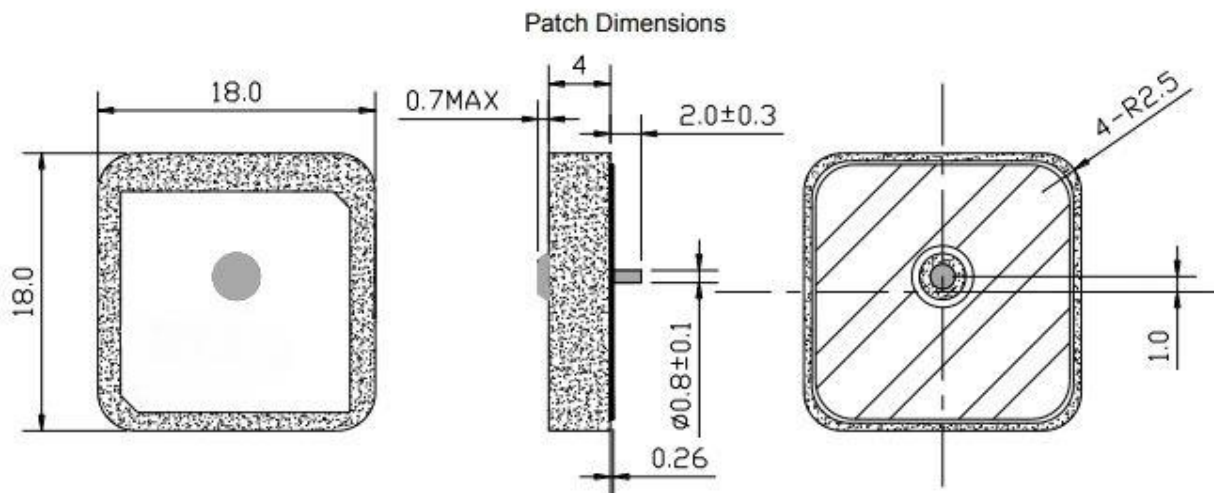


1. Antenna and Electrical Specifications

Parameters	GNSS ceramic passive patch antenna	
Standards	GPS/QZSS/Galileo	GLONASS
Band (MHz)	1575	1602
Frequency (MHz)	1575.42	1598 - 1606
Return Loss (dB)	~-26.0	~-18.8
VSWR	~1.1:1	~1.3:1
Efficiency (%)	~73.9	~73.7
Peak Gain (dBi)	~4.1	~4.2
Average Gain (dB)	~-1.3	~-1.3
Impedance (Ohms)	50	
Radiation Pattern	Hemispherical	

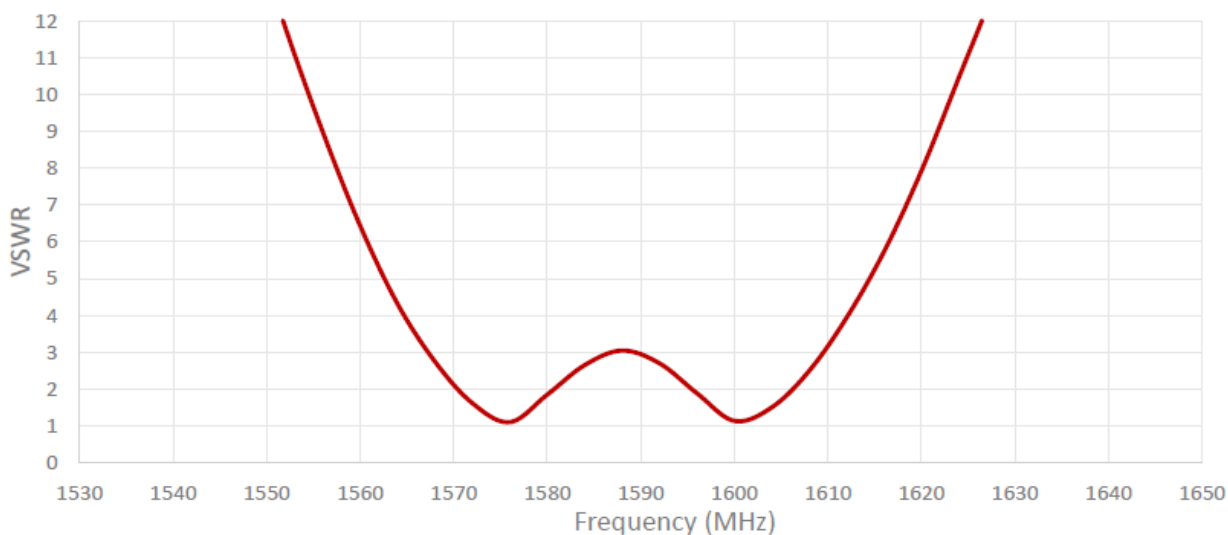
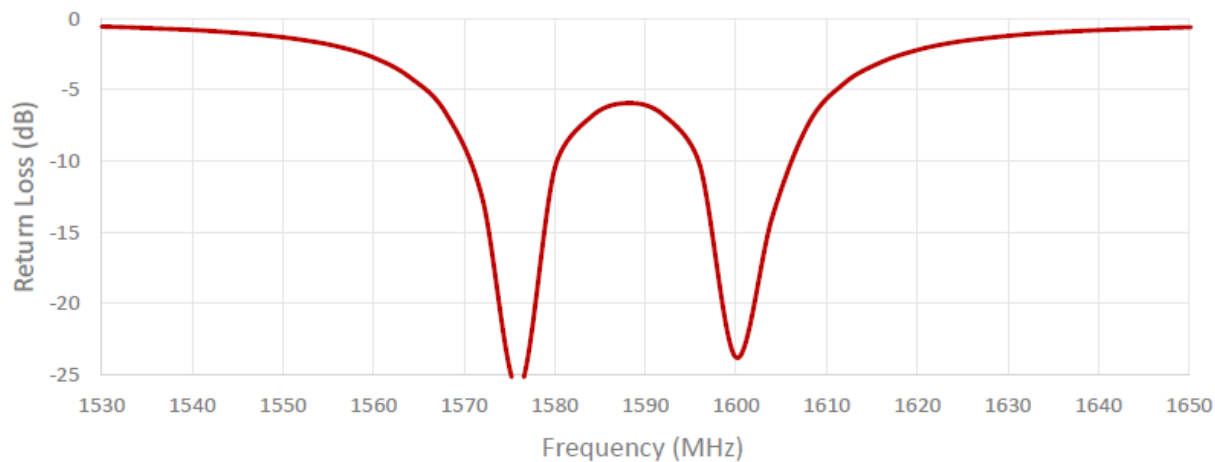
2. Mechanical and Environmental Specifications

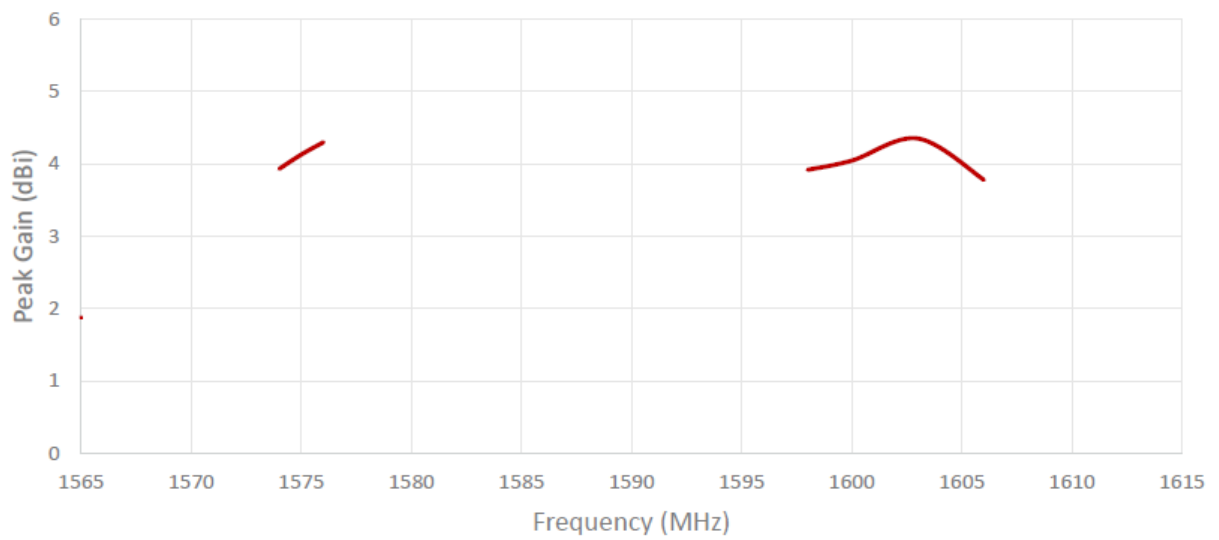
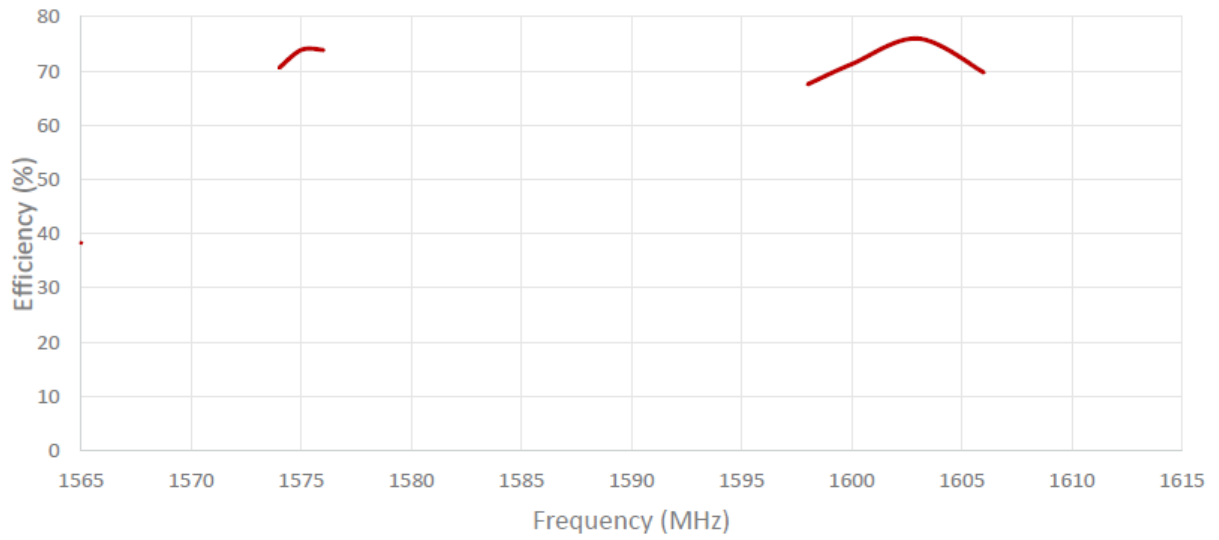
Mounting Type	Through-hole mount
Adhesive	Nitto 5000NS
Dimensions (mm)	18 x 18 x 4
Operating Temperature (°C)	-40 to +85
Storage Temperature (°C)	-40 to +85
Substance Compliance	RoHS

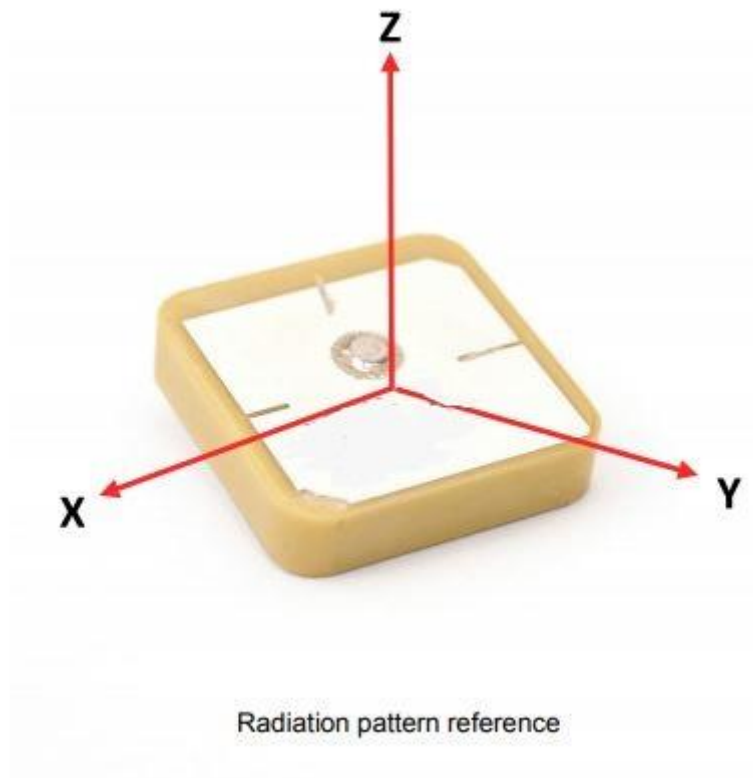
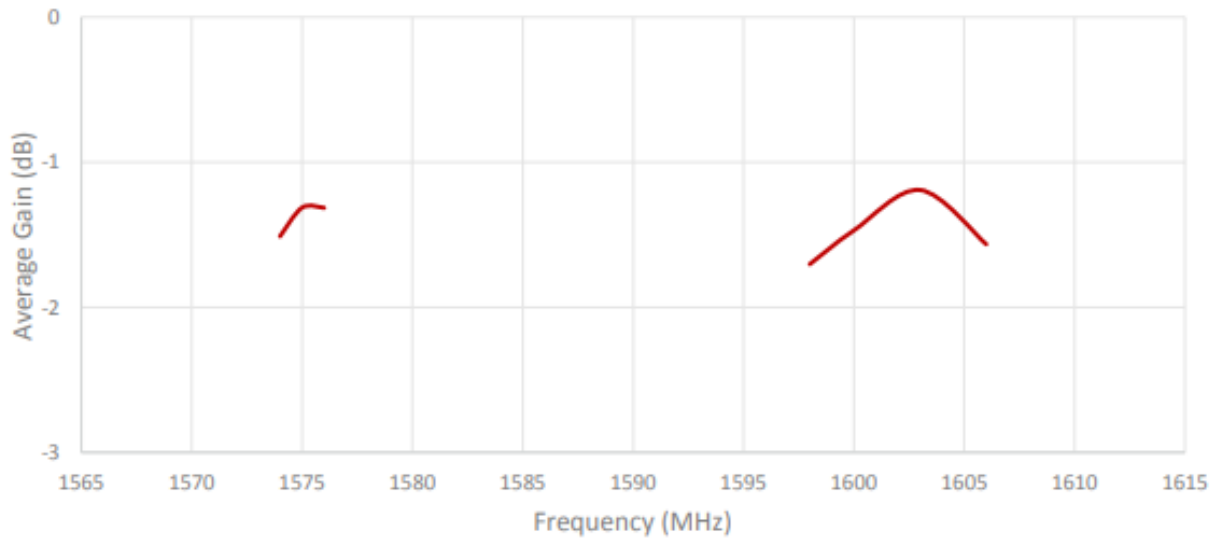


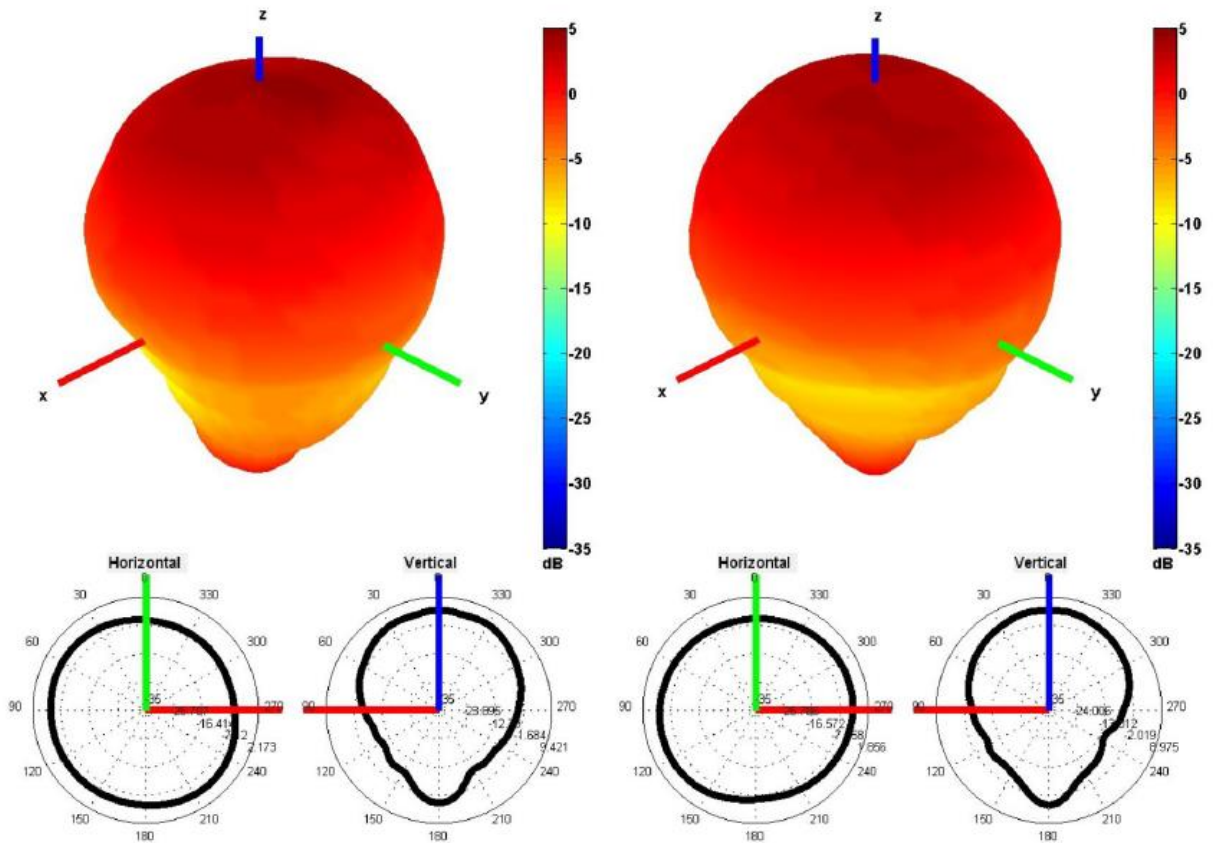


3. Antenna Parameters









1575 AND 1602 MHz RADIATION PATTERN