



## GPS Active Antenna AA-105



### Features

- Magnetic or 3M Double-Sided Adhesive Mount
- Covert stylish design
- Wide band input voltage
- Gain can be adjusted for your application (10dB~31dB)
- IP-67 Waterproof
- Custom designed antennas available upon request

### Technical Specifications

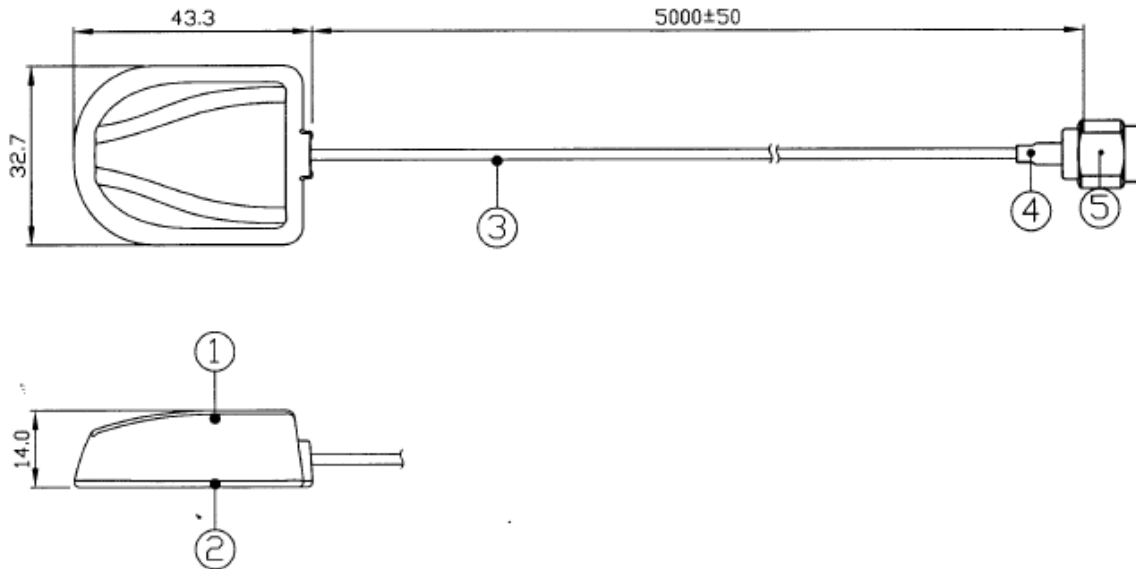
Centre Frequency	1575.42 MHz $\pm$ 2 MHz
Operating Temperature	-30°C to +80°C
Storage Temperature	-40°C to +85°C
Input Voltage	2.7~12V
Power Consumption	5mA Max @14dB 10mA Max@28dB 15mA Max@38dB
Output Connector	Customisable – SMA(M) standard
Mounting	Magnetic or 3M Double-Sided Adhesive
Gain	30dB+ Standard – Customizable to 10dB~31dB
Noise figure	1.5dB max
Axial Ratio	2.0dB max
Polarization	RHCP
Output Impedance	50 $\Omega$
VSWR	1.92 maximum
Dimensions	44 x 33 x 14 mm

©Copyright 2006 by Taoglas Limited. All Rights Reserved.

**Taoglas Limited**, Unit 3, Enniscorthy Technology Centre, Mile House Road, Enniscorthy,  
Co. Wexford, Ireland.

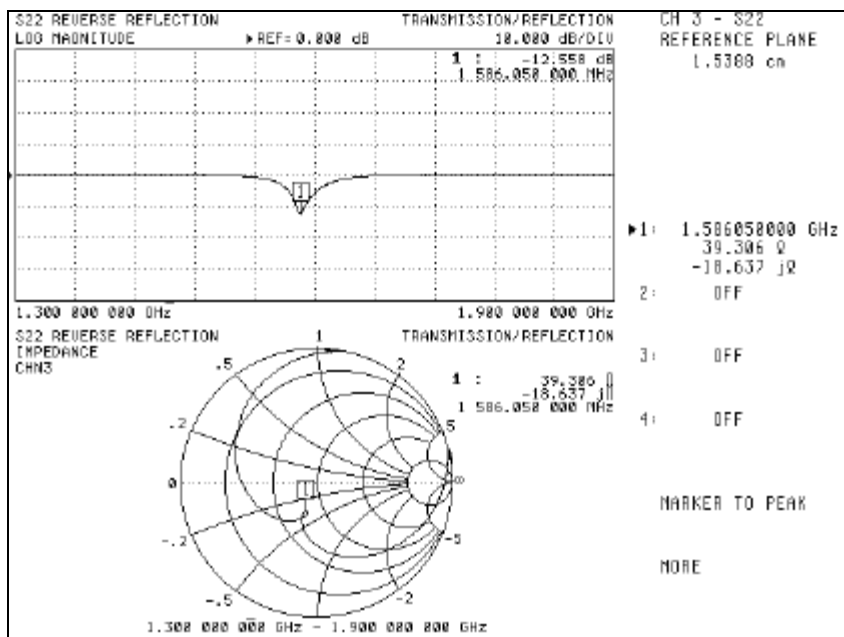
[info@taoglas.com](mailto:info@taoglas.com)

[www.taoglas.com](http://www.taoglas.com)



1. GPS Antenna top: PC; Colour:Black
2. GPS Antenna bottom: PC; Colour:Black
3. Cable: RG174
4. Tube: Heat shrink tube
5. Connector: SMA plug standard

### Patch antenna return loss & impedance



©Copyright 2006 by Taoglas Limited. All Rights Reserved.

**Taoglas Limited**, Unit 3, Enniscorthy Technology Centre, Mile House Road, Enniscorthy,  
Co. Wexford, Ireland.

[info@taoglas.com](mailto:info@taoglas.com)

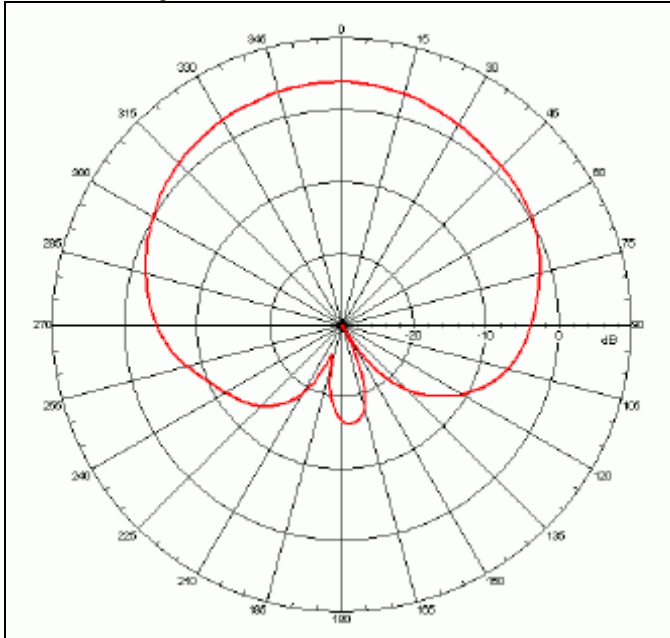
[www.taoglas.com](http://www.taoglas.com)

# taoglas

*the antenna solutions provider*



## Radiation pattern



©Copyright 2006 by Taoglas Limited. All Rights Reserved.

**Taoglas Limited**, Unit 3, Enniscorthy Technology Centre, Mile House Road, Enniscorthy,  
Co. Wexford, Ireland.

[info@taoglas.com](mailto:info@taoglas.com)

[www.taoglas.com](http://www.taoglas.com)