



G-21 Hercules
Quad-band GSM (GSM / CDMA / PCS / DCS)
Low Profile Heavy Duty Screwmount Antenna



3D View

The G-21 Hercules is a high performance thread mount Quad-band GSM antenna for external use on vehicles and outdoor assets worldwide. Omni-directional high gain across all bands ensures constant reception and transmission. Designed for heavy duty work with extra thick threads, there are also convenient side slots for running cables laterally. Durable UV resistant PVC housing is resistant to vandalism and direct attack. At only 29mm high it complies with the latest EU height restrictions directives for roof-mounted objects, whilst also enabling covert operation with a diameter of 42mm.

Features

Cellular

- Quad-band GSM Worldwide use
- Miniaturized Height 29mm Diameter 42mm

Other

- IP-67 Water Resistant with Outer Rubber Seal and Inner Rubber Stopper
- Quality textured covert design. Low profile
- UV and Vandal resistant ABS housing
- Convenient integrated cable routing system
- Thick nickel plated steel thread – M15 Diameter
- Optional cables and connectors
- ROHS Compliant



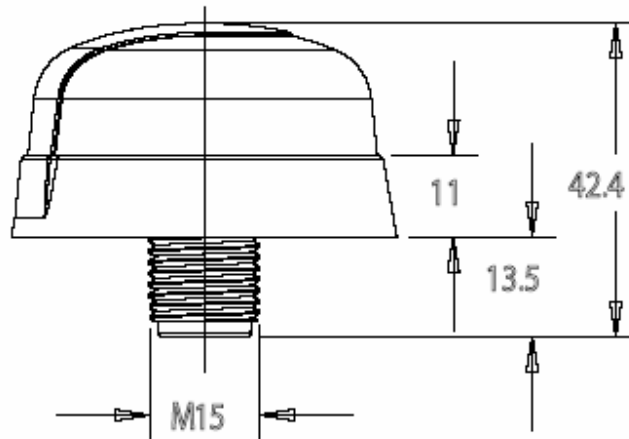
Specifications

ELECTRICAL				
	AMPS	GSM	PCS	DCS
Band	824-896	880-960	1850-1990	1710-1880
Return Loss	-12 dB	-25 dB	-12 dB	-10 dB
Gain	See radiation patterns			
Polarization	Linear			
Impedance	50 ohms			
Input Power	10 watts			
Input Connection	Coaxial Cable - RG174 Standard, Fully customizable			
VSWR (Min performance)	<2.0:1			
MECHANICAL				
Dimensions (L x W)	Height 29mm x Diameter 42mm			
Casing	UV Resistant PVC			
Base and Thread	Nickel plated steel			
Thread Diameter	M15			
Waterproofing gasket	Rubber			
Sealant	Rubber Stopper			
ENVIRONMENTAL				
Waterproof	IP-67 - No internal water entry			
	after 30mins immersion in 1M water			
Corrosion	5% NaCl for 96hrs - Nickel plated steel base and thread			
Temperature Range	-40°C to +85°C			
Thermal Shock	100 cycles -40°C to +80°C			
Humidity	Non-condensing 65°C 95% RH			
Shock (Drop Test)	1m drop on concrete 6 axes			
Cable Pull	8 KGf			

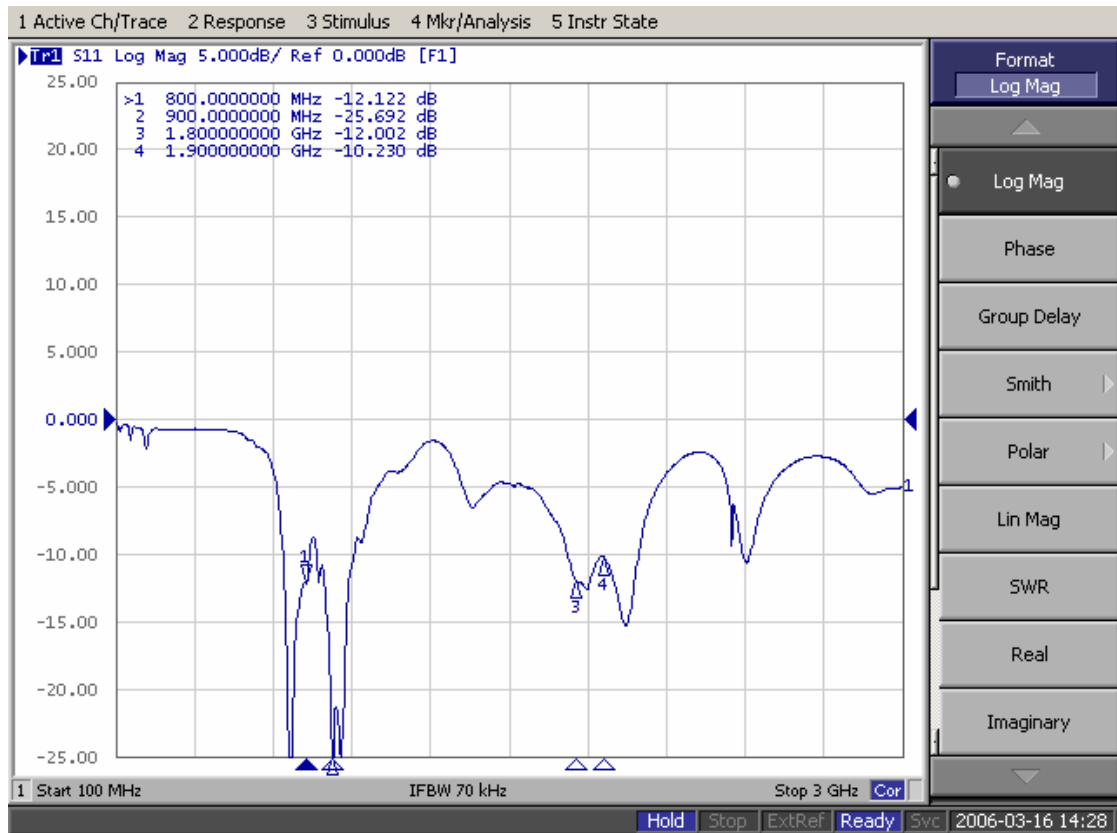
***note: specifications may be subject to change**



Outline Drawing



S11 Magnitude

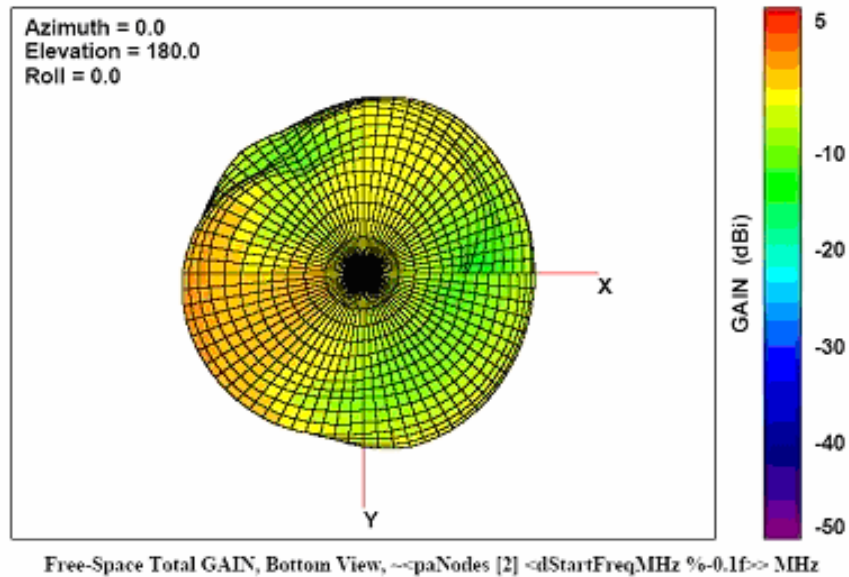


©Copyright 2007 by Taoglas Limited. Version 2
 Unit 3, Enniscorthy Technology Centre, Mile House Road,
 Enniscorthy, Co. Wexford, Ireland.
www.taoglas.com



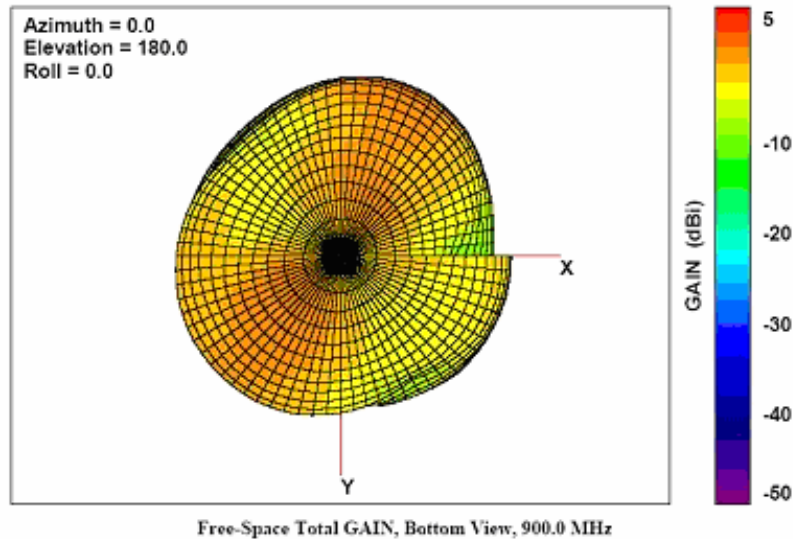
800 MHz – 3D Radiation Pattern

Total, Bottom View



900 MHz – 3D Radiation Pattern

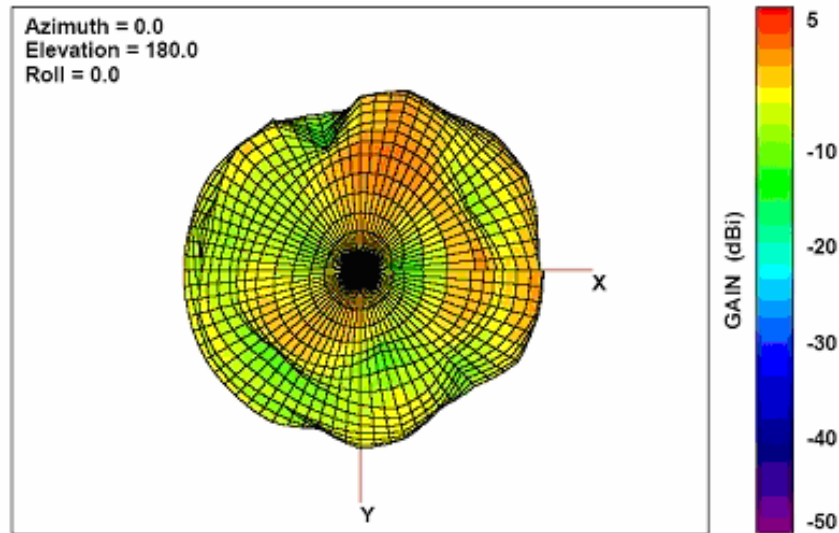
Total, Bottom View





1800 MHz – 3D Radiation Pattern

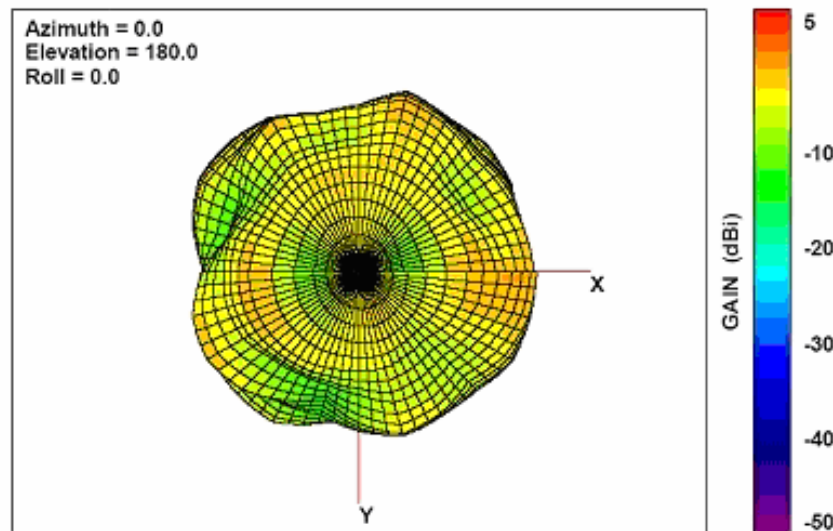
Total, Bottom View



Free-Space Total GAIN, Bottom View, 1800.0 MHz

1900 MHz – 3D Radiation Pattern

Total, Bottom View



Free-Space Total GAIN, Bottom View, 1900.0 MHz