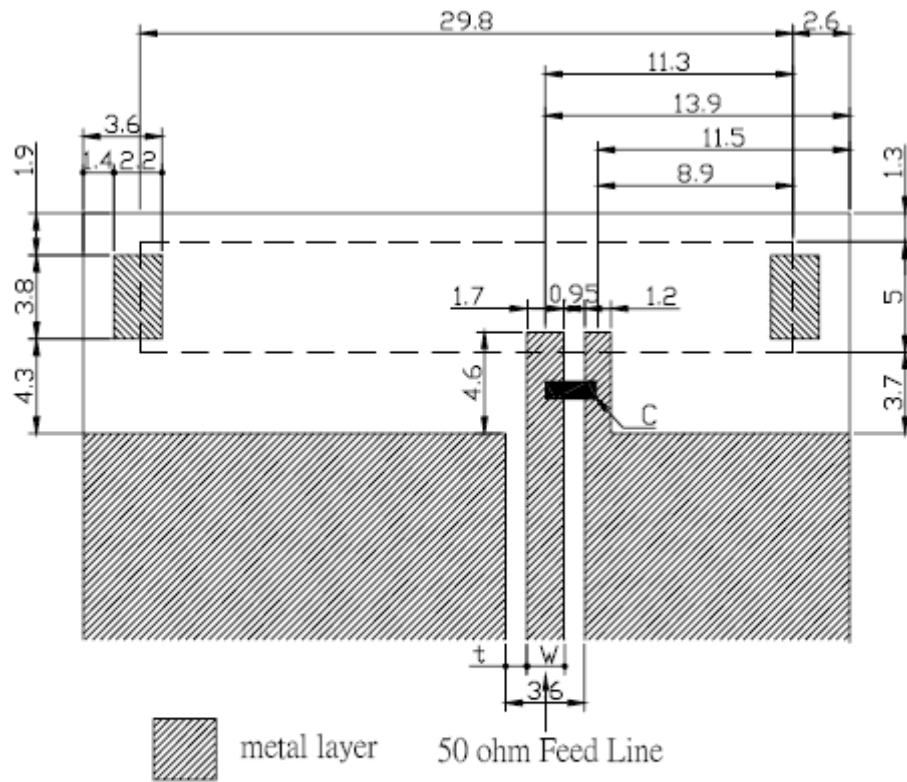


Recommended footprint for Taoglas PA22 PIFA Antenna's



t,w=Unique dimensioning according to your PCB.
 C=inductor and capacitor values according to your specific device.