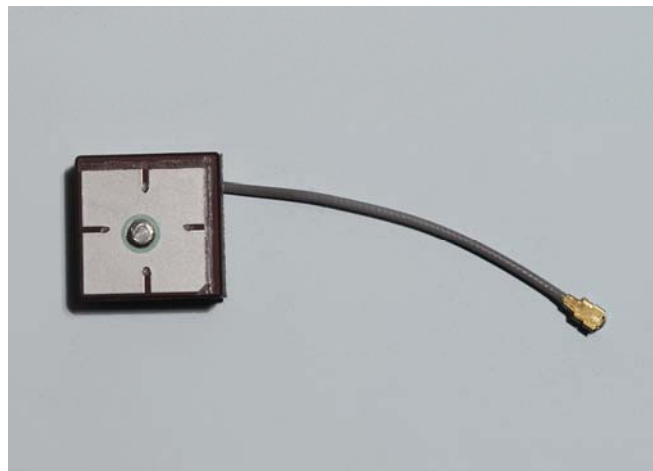




## AP-17A GPS Active Antenna Module

Designed for onboard integration with GPS receivers, this miniaturized GPS Active Antenna module combines an advanced 17mm squared ceramic patch antenna with one stage 15dB LNA and ultra thin 100~150mm cable and connector. It also comes with optional external switch for connection of external antennas to mobile devices. Taoglas active antenna modules utilise XtremeGain™ technology for the highest sensitivity in the industry. Optimised for asset tracking, navigation and remote monitoring applications.

Designed for latest “Genneration III” GPS receivers, Falcom, SiRF Star II, SiRF Star III, uNav, Nemerix, Fastrax, Trimble, Larsen, etc.



Top View – AP-17A

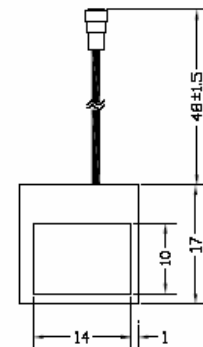
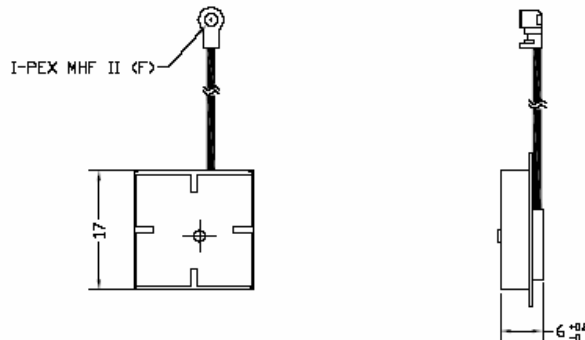
## Features

- Customised ground planes size and shape available
- Miniaturised only 222 cc – 17.8mm footprint for small form factor applications
- Ultra-Low power consumption
- High gain, Low noise < 1.5dB
- Excellent temperature stability
- Excellent out-band rejection
- Wide band input voltage
- Compatible with every GPS receiver
- Variety of applications in AVL, car navigation systems, aviation, and handheld devices
- Customisable cable/connector type and length



Performance Specifications		
<b>Antenna</b>	Frequency	1575.42 ± 1.023 MHz
	Polarization	RHCP
	Antenna Gain	90 deg 1dBi typ.
	Output Impedance	50 ohm
<b>LNA</b>	Frequency	1575.42 ± 1.023 MHz
	Noise Figure	1.5 dB Typ.
	Gain	15 dB
<b>Overall</b>	Overall Gain	15 ± 3 dBi
	Input Voltage	2.7V~3.3 V
	Power Consumption	At 3.0 V Typ: 3.2mA. Max: 5mA
	VSWR	2.0 Max
	Output connector	Hirose U.F.L or iPex

Outline Drawings



Back side VIEW

Unit:mm  
Tolerance : +/- 0.1