

### V.22bis LOW SPEED EMBEDDED MODEM MODULES

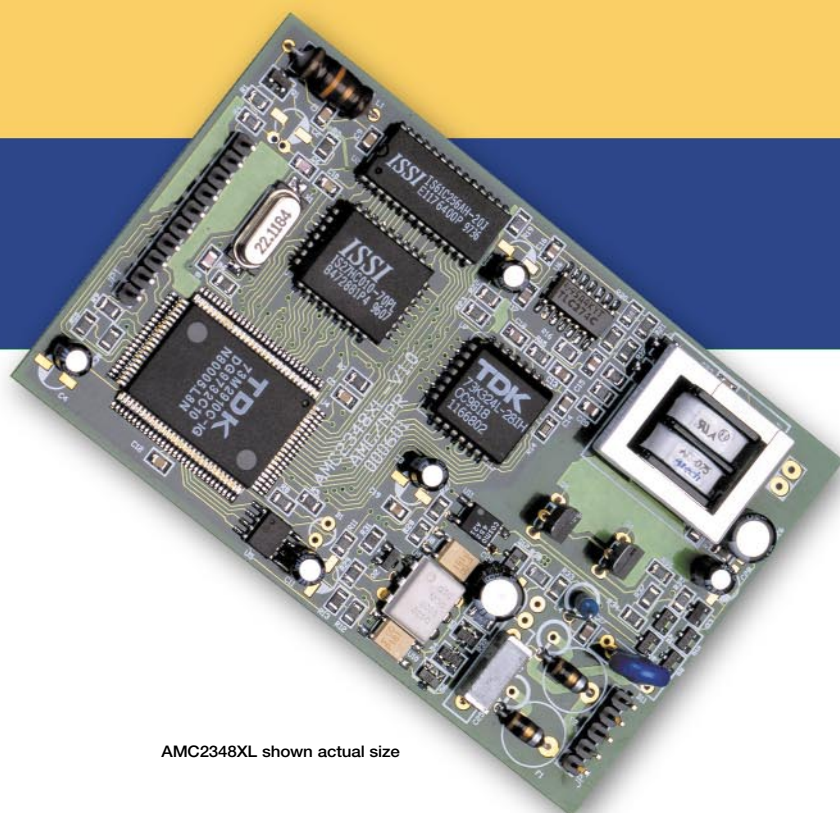
The Alpha Micro AMC2901XL, AMC224XL and AMC2348XL are feature enhanced V.22bis data modem modules, each designed onto our standard modem footprint. Featuring line data rates of up to 2400bps these modems are ideally suited to a range of applications where relatively small amounts of data need to be transferred over a telephone line. Fast connection algorithms make the modems ideally suited for use in point of sale or banking environments where small data payload and short call duration is important. Using our standard modem footprint offers the flexibility and speed of upgrading to a faster module with minimum design effort.

### FEATURES

- PAN EUROPEAN APPROVED
- 300bps – 2400bps
- V.21, V.22, V.22bis, V.23, BELL 212A, BELL 202, BELL103
- V.42, MMP2-4 ERROR CORRECTION
- V.42bis MMP5 DATA COMPRESSION
- QUICK CONNECTS ENHANCEMENTS
- SDLC SUPPORT
- 5V SERIAL TTL INTERFACE
- FULLY AUTOBAUD UPTO 9600bps OR 19.2Kbps
- TELEPHONE HANDSET SUPPORT
- CAN BE CUSTOMISED FOR VOLUME APPLICATIONS

### APPLICATIONS

- EPOS (POINT OF SALE TERMINALS)
- REMOTE TELEMTRY
- SET TOP BOX
- LOTTERY TERMINALS & GAMING MACHINES
- SECURITY SYSTEMS
- INTERNET CONNECTIVITY
- VENDING MACHINES
- LEAST COST ROUTING
- CALL LOGGING SYSTEMS



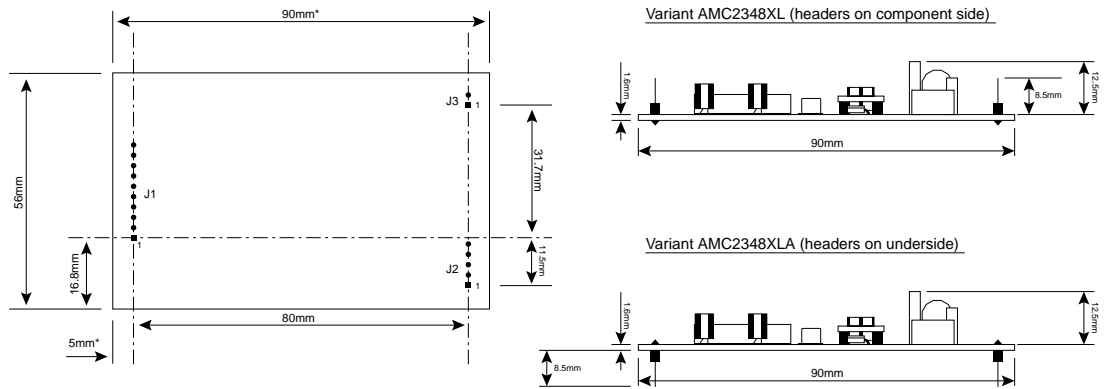
AMC2348XL shown actual size

# V.22bis

LOW SPEED EMBEDDED  
MODEM MODULES



## AMC2348XL Socket Modem Detail



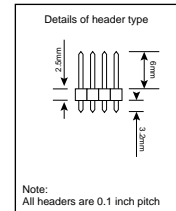
## V22.bis Modem Selection Table

V.21/Bell 103	●	▲	■
V.22/Bell 212	●	▲	■
V.22bis	●	▲	■
V.23 with PAVI	●	▲	■
Bell 202	●		■
MNP1-4/V.42 error correction			■
MNP5/V.42bis data compression			■
Fast connect	●	▲	■
SDLC			■
Synchronous data support	●	▲	■
Customised firmware		▲	■

**KEY:** AMC2901XL ● AMC2442XL ▲ AMC2348XL ■

## AMC2348XL Header Detail

J1	J2
1 VCC (5v 100mA max)	1 Ring In
2 VSS	2 Tip In
3 TXD	3
4 RXD	4 Tip Out
5 RTS (active low)	5 Ring Out
6 CTS (active low)	
7 DTR (active low)	
8 DCD (active low)	
9 VSS	
10 RST (active low)	



## Other Embedded Modem Products Available

<b>AMC2901XL</b>	V.22bis/V.22/V.21/V.23
<b>AMC2442XL</b>	V.22bis/V.22/V.21/V.23 plus fast connect
<b>AMC2348XL</b>	V.22bis/V.22/V.21/V.23 with data compression & error correction
<b>AMC336XL</b>	V.34/V.32bis/V.32terbo/V.32/V.22bis/V.22/V.21/V.23 with data compression & error correction
<b>AMC6401XL</b>	ISDN 2B+D
<b>AMC1802GSXLA</b>	GPRS/GSM with TCP/IP, PPP, CHAPS and PAPS support
<b>AMC2802GSXLA</b>	GPRS/GSM with TCP/IP, PPP, CHAPS and PAPS support plus Global Positioning System

All products available on the same footprint and are interchangeable.

Alpha Micro Components are a specialist semiconductor and electronic component distributor in the markets of Telecoms, Datacoms, Security and EPOS. A "design based" distributor offering a comprehensive technical support package ranging from hardware and software application support through to complete turnkey designs.

Alpha Micro Components reserve the right to change the specification without prior notice.

## Addresses

### UK Headquarters

Alpha Micro Components Ltd  
Springfield House Cranes Road Sherborne St John  
Basingstoke Hampshire RG24 9LJ UK  
Telephone: +44 (0) 1256 851 770  
Facsimile: +44 (0) 1256 851 771  
Email: sales@alphamicro.net  
Web: www.alphamicro.net

### Central European office

Alpha Micro Components AG  
Honerethof 2 CH-8962 Bergdietikon Switzerland  
Telephone: +41 43 322 4020  
Facsimile: +41 43 322 4022  
Email: pweinstock@alphamicro.ch  
Web: www.alphamicro.ch

### North American office

Alpha Micro Components USA Inc  
725N A1A The Alhambra Unit E204  
Jupiter FL-33477 USA  
Telephone: +1 561 744 9986  
Facsimile: +1 561 744 9935  
Email: sales@alphamicro.net  
Web: www.alphamicro.net

REV. 1.0 November 2002  
©Alpha Micro Components is a registered trademark