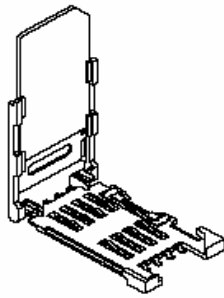


# AMC-ICA-567-8P with Posts

Clamshell type Smart Card Reader with Switch and Mounting Posts



## TECHNICAL CHARACTERISTICS

### 1. General Characteristics

Dimension: 29.65L x 17.20W x 2.00H mm  
 Weight: Approx. 0.75 g  
 Contact principle: Friction technology  
 Operating position: Shaft up / Down / Horizontal  
 Mounting System: SMT Type (with post)  
 Durability: 10,000 cycles min.

### 2. Mechanical Characteristics

Insulation material: Thermoplastic, UL 94V-0  
 RoHS Directive 2002/95/EC Compliant

### 3. Electrical Characteristics

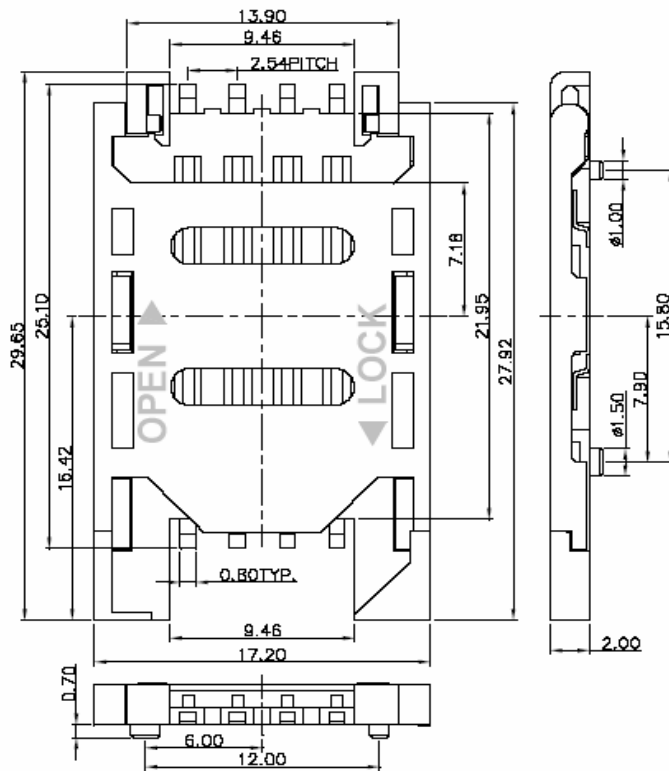
Number of contacts: 8 pins  
 Contact resistance: 50 mΩ typical, 100 mΩ max.  
 Insulation resistance: >1000 MΩ / 500 VDC  
 Switch type: Blade, Normally Open

### 4. Solderability

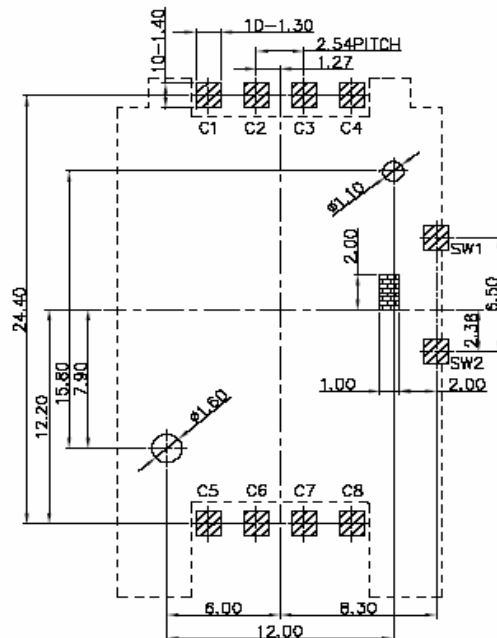
Wave: Not applicable  
 IR reflow: 260°C, 10 sec. Max.  
 Manual soldering: 360°C, 3 sec. Max.

### 5. Environmental Characteristics

Operating temperature: - 40°C ~ + 85°C  
 Operating humidity: 10 % ~ 95 % RH  
 Storage temperature: - 40°C ~ + 85°C  
 Storage humidity: 10 % ~ 95 % RH



Unit: mm; Tolerances: ±0.15 mm  
**Mechanical outline dimension**



Hatched area is pattern prohibition area

Unit: mm; Tolerances: ±0.05 mm  
**Reference dimension for PCB layout**

**SIM Card Acceptor**

**Model No.: ICA-567**

**Revision: 1.5**

**Date: APR. 18, 2007**