

## AMC-ANTM0301GF

**Type** GNSS Ceramic Active Antenna

### Key Features

- GPS/GLONASS/QZSS/Galileo
  - 1575 - 1606MHz
- Embedded antenna
- Pre-filter
- Low noise figure
- Low power consumption
- Ground plane independent



### Certifications:



UK Tel: +44 (0)1256 851770 | Fax: +44 (0)1256 851771 | email: [sales@alphamicro.net](mailto:sales@alphamicro.net)  
[www.alphamicro.net](http://www.alphamicro.net)

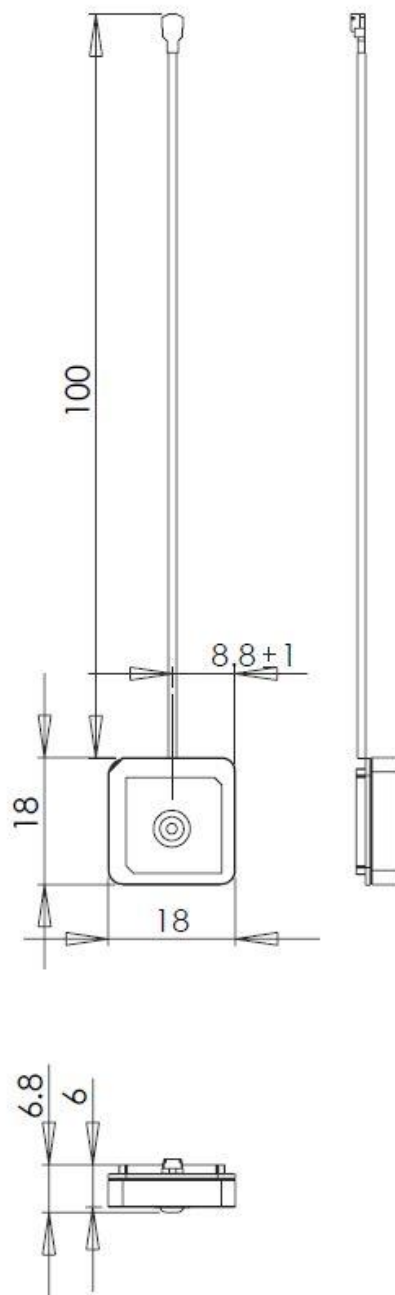


## 1. Antenna and Electrical Specifications

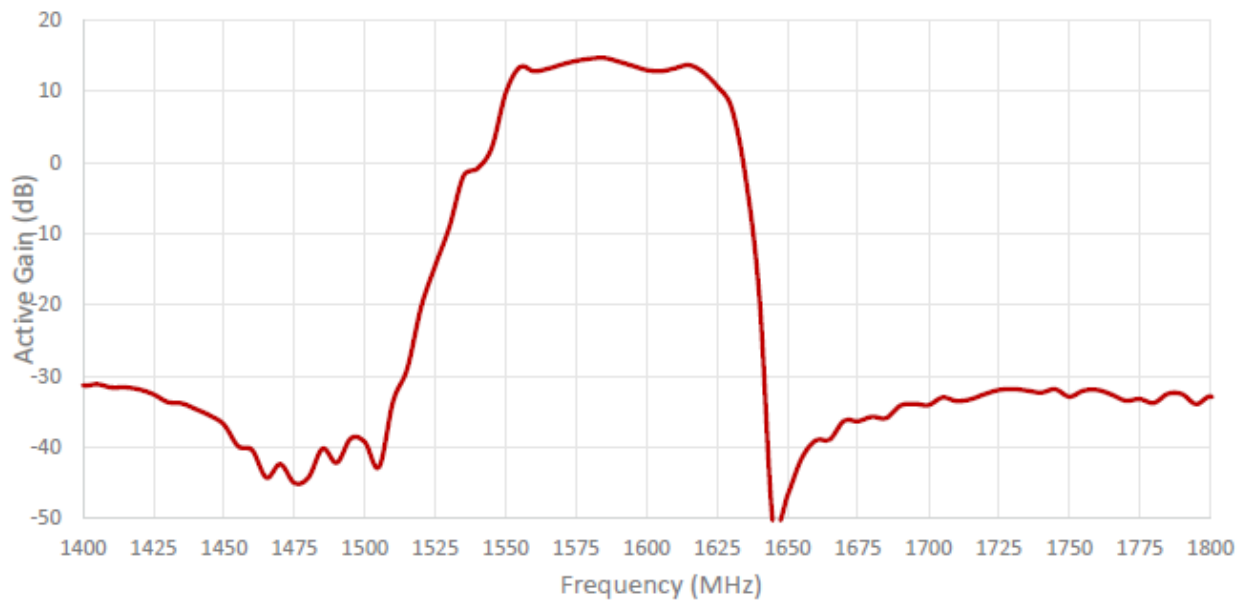
Passive Parameters	GNSS antenna	
Standards	GPS/QZSS/Galileo	GLONASS
Band (MHz)	1575	1602
Frequency (MHz)	1575.42	1598 - 1606
Passive Gain (dBi)	~3.6	
Impedance (Ohms)	50	
Radiation Pattern	Hemispherical	
Voltage Range (V)	1.5 – 3.6	
Active Gain (dB)	14 @ 2.7V	
Noise Figure (dB)	1.5 @ 2.7V	
Current Consumption (mA)	4 @ 2.7V	
Power Consumption (mW)	10.8 @ 2.7V	
Saw Filter Type	Pre-filter	
Out of Band Rejection (dB)	43	
ESD Protection (kV)	6	
Connector Type	U.FL standard (other connectors available)	
Cable Length	100mm standard (Cable lengths >50mm available)	
Cable Type	1.37mm mini-coax standard (other cable types available)	

## 2. Mechanical and Environmental Specifications

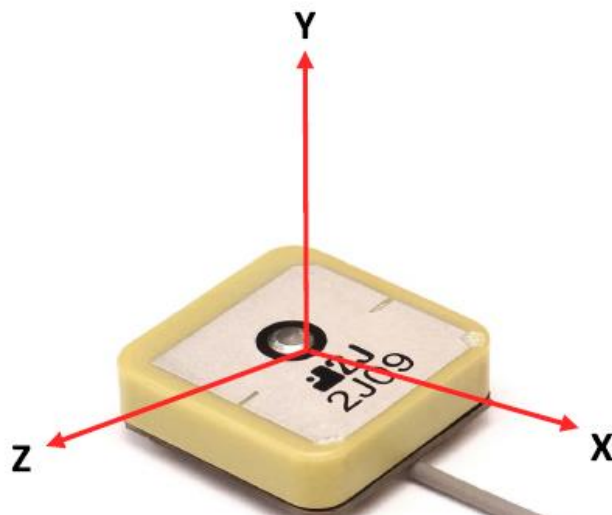
<b>Dimensions (mm)</b>	18 x 18 x 6.8
<b>Operating Temperature (°C)</b>	-40 to +85
<b>Storage Temperature (°C)</b>	-40 to +85
<b>Substance Compliance</b>	RoHS



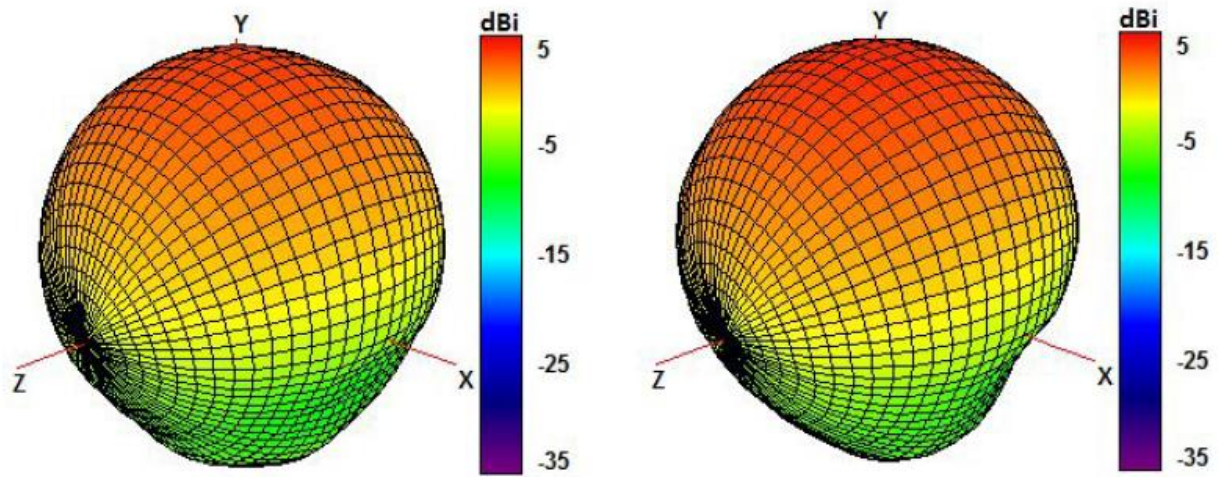
### 3. Antenna Parameters



\* Measured at 2.7 V



Radiation pattern reference



1575 and 1602 MHz Radiation pattern