

## AMC-ANTEGLA254I01

<b>Type</b>	GPS/GALILEO(E1)/GLONASS active patch antenna
<b>Frequencies</b>	GPS/GALILEO (1575.42MHz) GLONASS (1592 - 1610MHz)
<b>Mounting</b>	Adhesive mounting



## 1. Specification

### 1.1 Electrical Specifications

Frequency (MHz)	GPS (1575.42) GLONASS (1592 – 1610)
Noise figure (dB)	2.5
Patch size (mm)	25 x 25 x 4
Patch gain (dBiC)	2 - 3
LNA gain (dB)	23 @ 3V / 24 @ 5V
Impedance (Ohms)	50
Polarisation	RHCP
Voltage supply (V)	2.7 – 5.5
Current (mA)	15 - 25
Power (Max.) (mW)	138
Operating temperature	-40°C to +85°C

### 1.2 Ordering Information

Part Number	Connector	Cable Length/Type
AMC-ANTEGLA254I01-aaa-bbbcccc	Specify	Specify/Specify

aaa - connector type (U.FL standard)

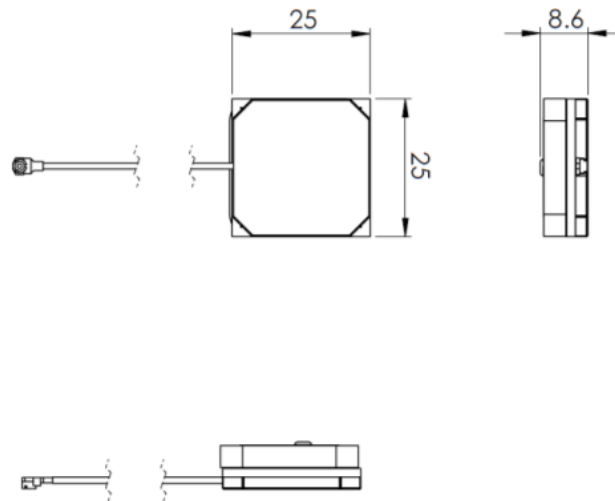
bbb – cable type (1.13mm standard)

cccc – cable length in mm

### 1.3 Mechanical Specifications

Dimensions (mm)	25 x 25 x 8.6
Weight	14g (based on 100mm cable & U.FL connector)
Compliance	RoHS, REACH

### 1.4 Dimensions

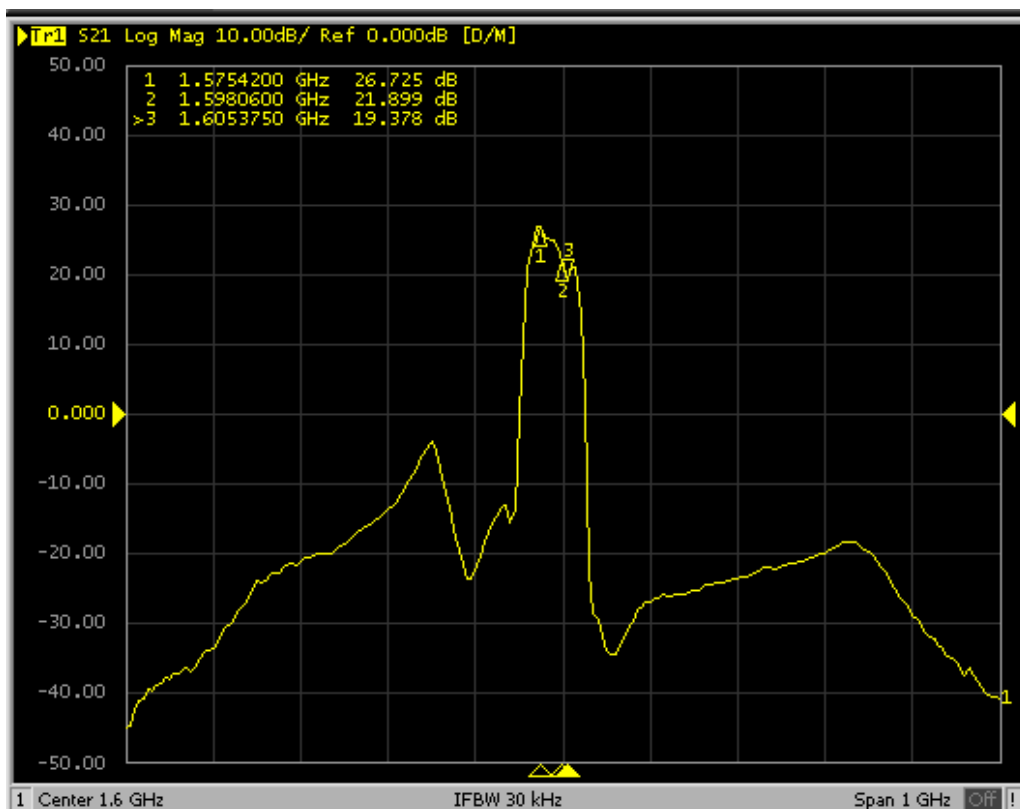


## 2. Measurement

Tested with 300mm cable on a 200mm x 200mm ground plane

### 2.1 S21

Antenna gain at 3V



## 2.2 *Block Diagram*

Filter placed before amplifier

