

## AMC-ANTM0601CF

**Type** GNSS (GPS/GLONASS/BeiDou/QZSS/Galileo) active patch antenna

**Key Features**

- 1561 – 1606MHz
- Pre-filter
- Low noise figure
- Low power consumption
- Ground plane independent

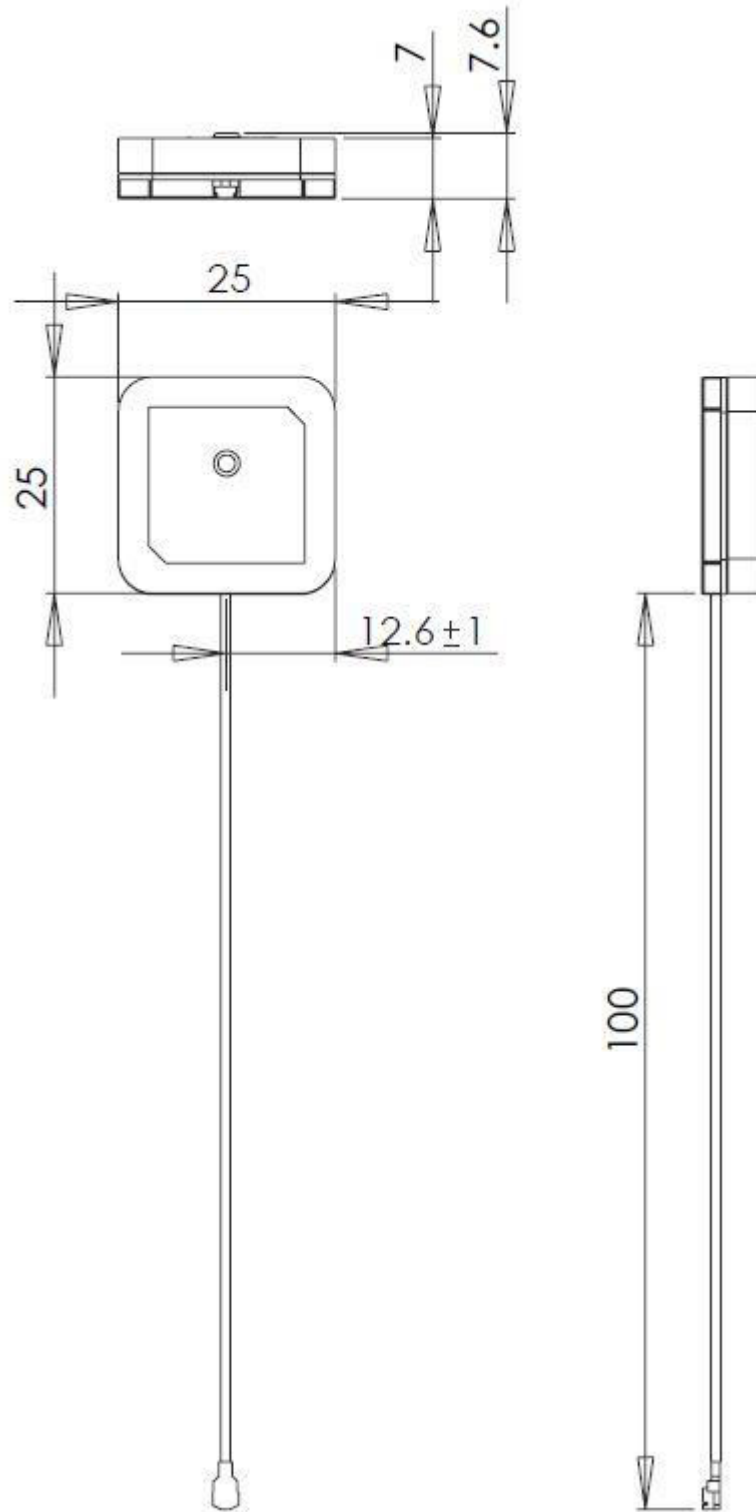


## 1. Antenna and Electrical Specifications

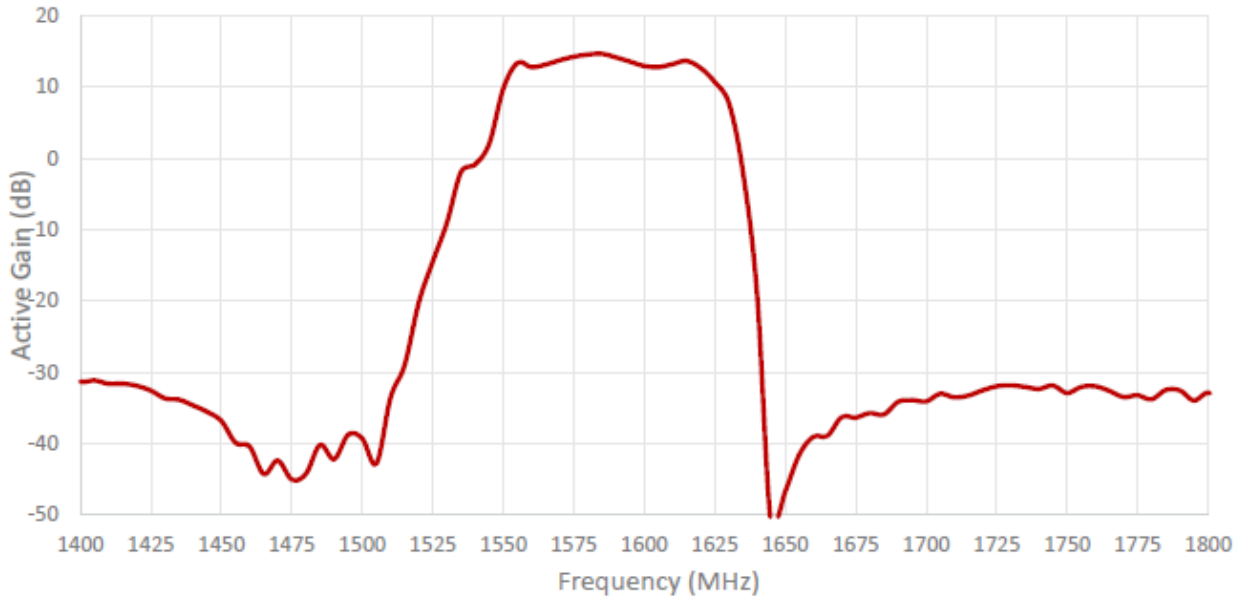
<b>Parameters</b>	GNSS ceramic active patch antenna		
<b>Standards</b>	BeiDou	GPS/QZSS/Galileo	GLONASS
<b>Band (MHz)</b>	1561	1575	1602
<b>Frequency (MHz)</b>	1561.098	1575.42	1598 - 1606
<b>Passive gain (dBi)</b>	~3.6		
<b>Impedance (Ohms)</b>	50		
<b>Radiation pattern</b>	Hemispherical		
<b>Voltage range (V)</b>	1.5 – 3.6		
<b>Active gain (dB) (GPS)</b>	15.1 @ 2.7V		
<b>Noise figure (dB) (GPS)</b>	1.5 @ 2.7V		
<b>Current consumption (mA)</b>	4 @ 2.7V		
<b>Power consumption (mW)</b>	10.8 @ 2.7V		
<b>SAW filter type</b>	Pre-filter		
<b>Out of band rejection (dBc)</b>	43		
<b>ESD protection (kV)</b>	6		
<b>Connector type</b>	U.FL standard (other connectors optional)		
<b>Cable length</b>	100mm standard (other cable lengths optional)		
<b>Cable type</b>	1.37mm mini-coax standard (other cable types optional)		

## 2. Mechanical and Environmental Specifications

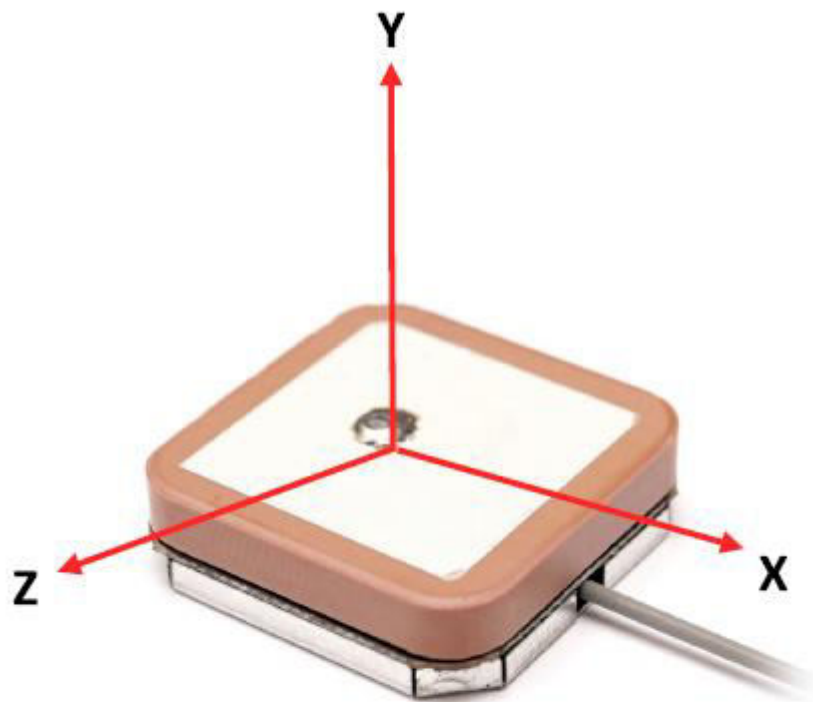
<b>Dimensions (mm)</b>	25 x 25 x 7.6
<b>Operating temperature (°C)</b>	-40 to +85
<b>Storage temperature (°C)</b>	-40 to +85
<b>Substance compliance</b>	RoHS



### 3. Antenna Parameters

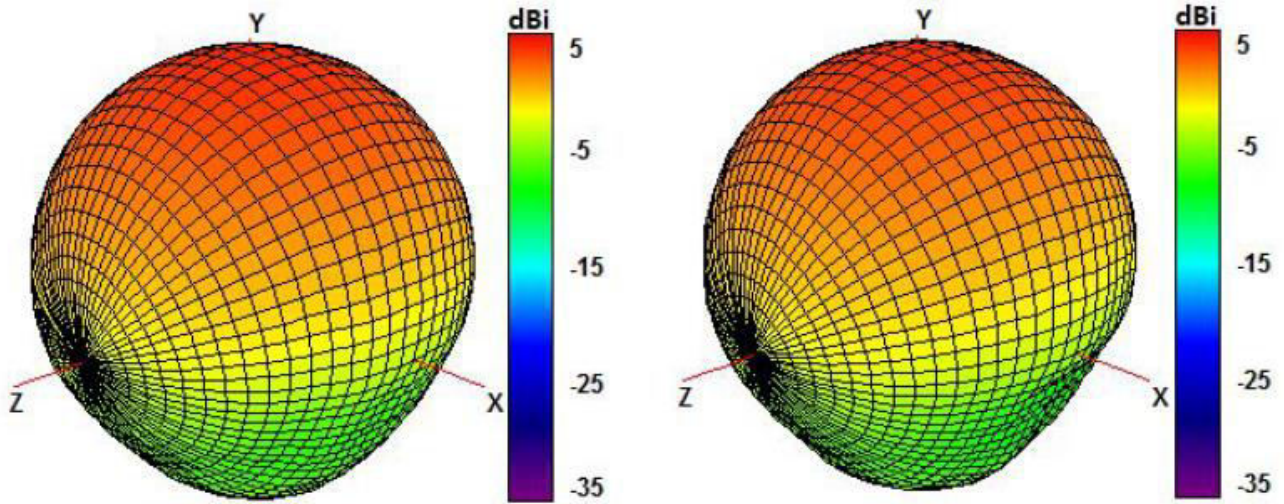


\* Measured at 2.7 V

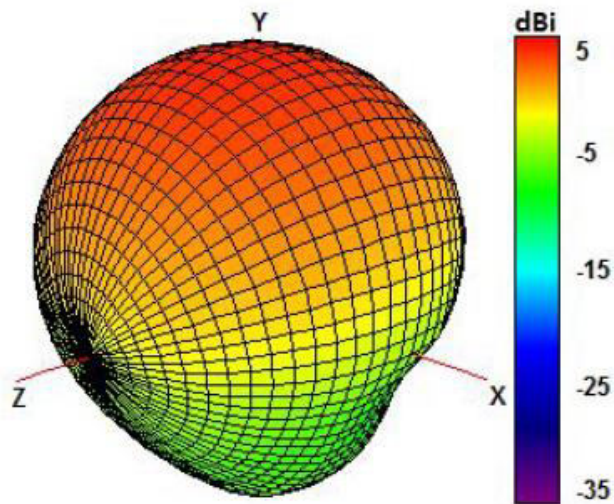


Radiation pattern reference

### 3. Antenna Parameters



1561 AND 1575 MHz RADIATION PATTERN



1602 MHz RADIATION PATTERN