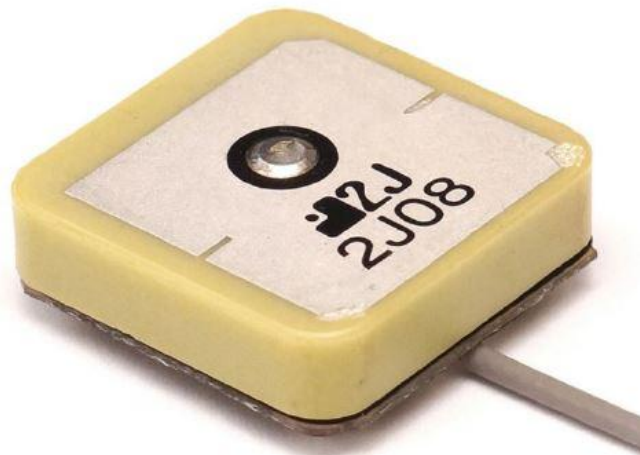


## AMC-ANTEGPAP18401

<b>Type</b>	Embedded active patch GPS Antenna
<b>Frequencies</b>	GPS/QZSS/Galileo (1575.42MHz)
<b>Mounting</b>	Embedded, double-sided adhesive

**Key Features:**

- 28dB gain
- Pre-filter
- Low noise figure
- Low power consumption
- Ground plane independent



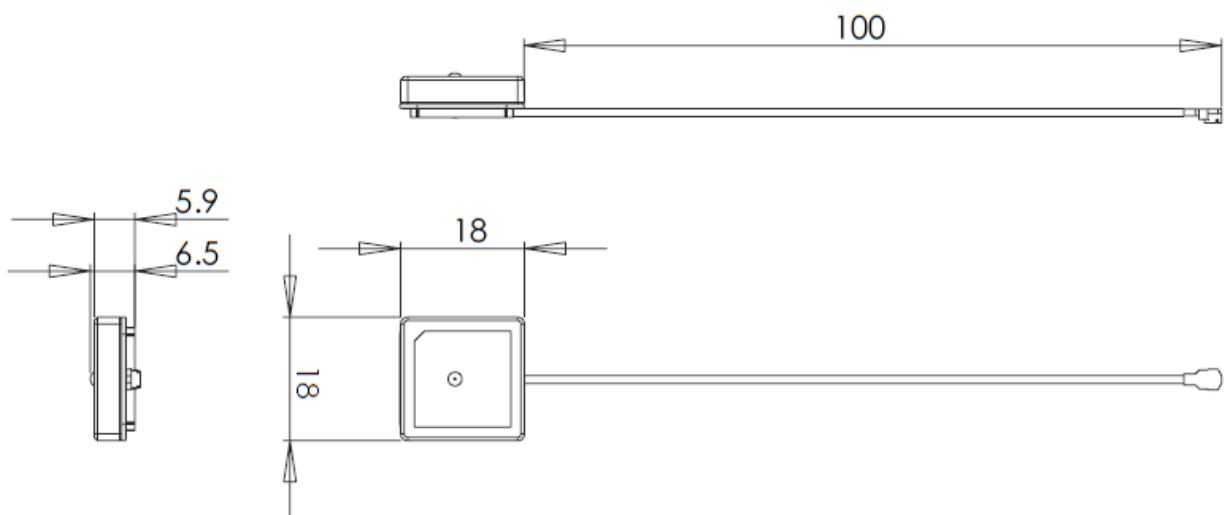
## 1. Specification

### 1.1 Electrical Specifications

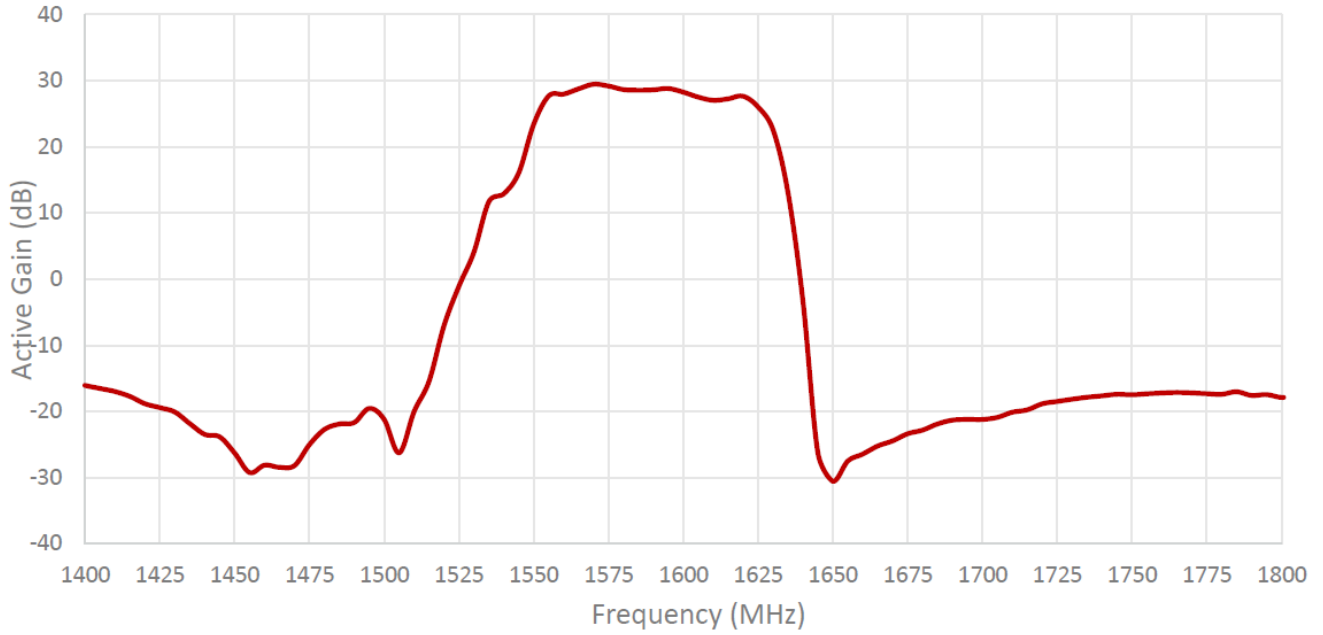
Frequency	GPS/QZSS/Galileo (1575.42MHz)
Passive gain	~3.6dBi
Impedance	50 Ohms
Radiation pattern	Hemispherical
Noise Figure	1.8dB @ 2.7V
Active gain	28dB @ 2.7V
Voltage range	1.5V – 3.6V
Current consumption	9mA @ 2.7V
Power consumption	24.3mW @2.7V
SAW filter type	Pre-filter
Out of band rejection	43dB
ESD protection	6kV
Operating temperature	-40°C to +85°C

### 1.2 Mechanical Specifications and Dimensions

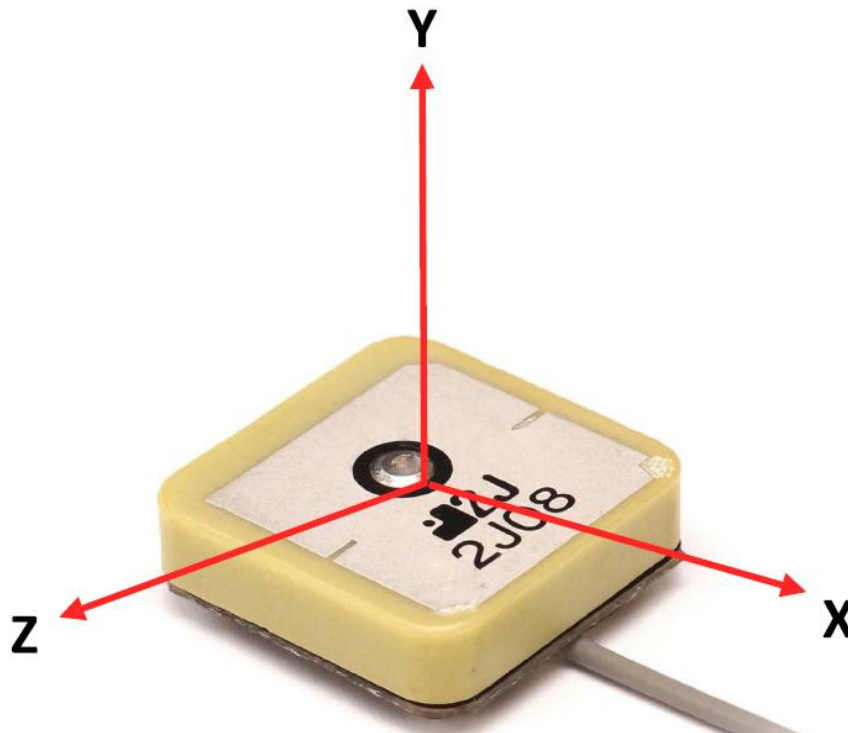
Dimensions: 18mm(L) x 18mm(W) x 6.5mm(D)



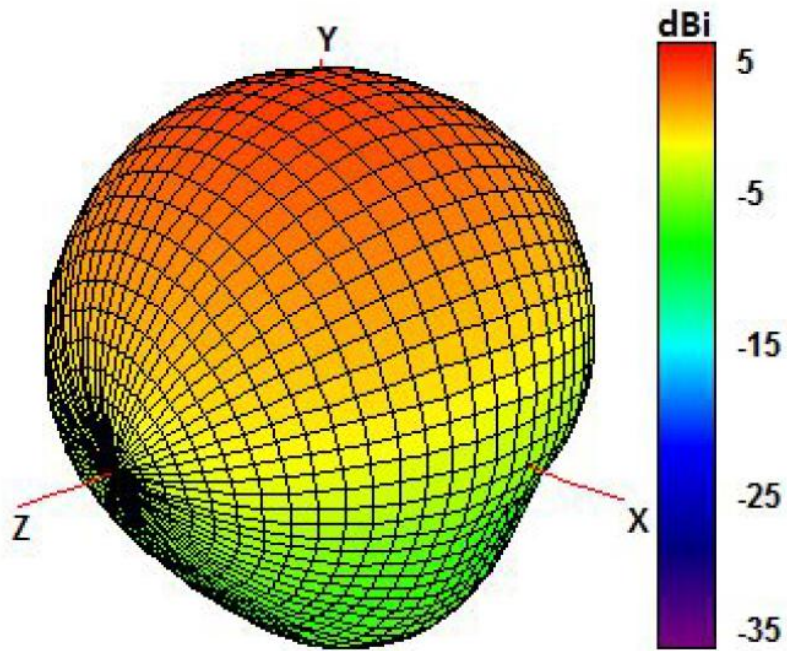
## 2. Measurement



\* Measured at 2.7 V



Radiation pattern reference



1575 MHz Radiation pattern