

AMC-ANT6A41BGT

Type Cellular/LTE and GPS/GLONASS Antenna

Key Features

- Cable 1: Cellular/LTE
 - 698 – 960MHz
 - 1710 – 2170MHz
 - 2500 – 2700MHz
- Cable 2: GPS/GLONASS/QZSS/Galileo
 - 1575 – 1610MHz
- Screw mount
- Anti-rotation mechanism
- Ground plane dependent
- Certificates: IP67, IP69K, IK09



Certifications:



UK Tel: +44 (0)1256 851770 | Fax: +44 (0)1256 851771 | email: sales@alphamicro.net
www.alphamicro.net

1. Antenna and Electrical Specifications

Cable 1

Parameters	Cellular / LTE Antenna		
Standards	2G/3G/4G		
Band (MHz)	700/850/900	1700/1800/1900/2100	2600
Frequency (MHz)	698 - 960	1710 - 2170	2500 - 2700
Return Loss	~-10.3	~-14.8	~-15.1
VSWR	~2.1:1	~1.5:1	~1.5:1
Efficiency (%)	~52	~62	~50
Peak Gain (dBi)	~0.7	~3.4	~4.0
Average Gain (dB)	~-2.9	~-2.1	~-3.0
Impedance (Ohms)	50		
Polarisation	Linear		
Radiation Pattern	Omni-directional		
Max. Input Power (W)	25		
Connector Type	Specify (SMA male – standard)		
Cable Length	Any cable length (3 meters – standard)		
Cable Type	Other cables available (DACAR 302 – standard)		

Cable 2

Parameters	GPS/GLONASS Antenna	
Standards	GPS/QZSS/Galileo	GLONASS
Band (MHz)	1575	1602
Frequency (MHz)	1575.42	1598 - 1606
Patch Size (mm)	25 x 25 x 4	
Return Loss (dB)	<=-15.0	
VSWR	<=1.5:1	
Impedance (Ohms)	50	
Radiation Pattern	Hemispherical	
Polarisation	RHCP	
Radiation Pattern	Omni-directional	
SAW Filter	Pre-filter	
Active Gain (dB)	28 @ 2.7V	
Noise Figure (dB)	1.5 typ.	
Voltage (V)	1.5 – 3.6	
Current (mA)	9 typ.	
Power Consumption (mW)	24.3 typ.	
ESD Protection (kV)	2	
Connector Type	Specify (SMA male – standard)	
Cable Length	Any cable length (3 meters – standard)	
Cable Type	Other cables available (LMR100 – standard)	

Antenna Measurement Conditions:

Mounted on 30cm x 30cm metal plate

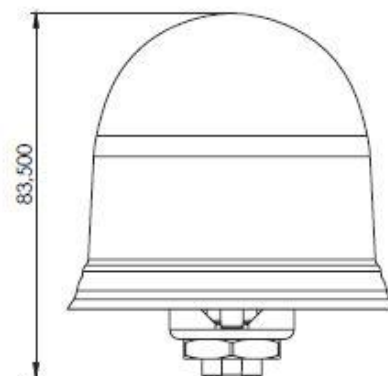
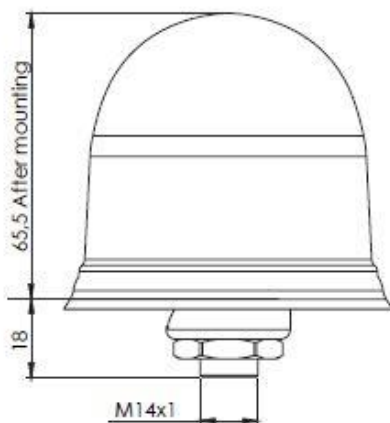
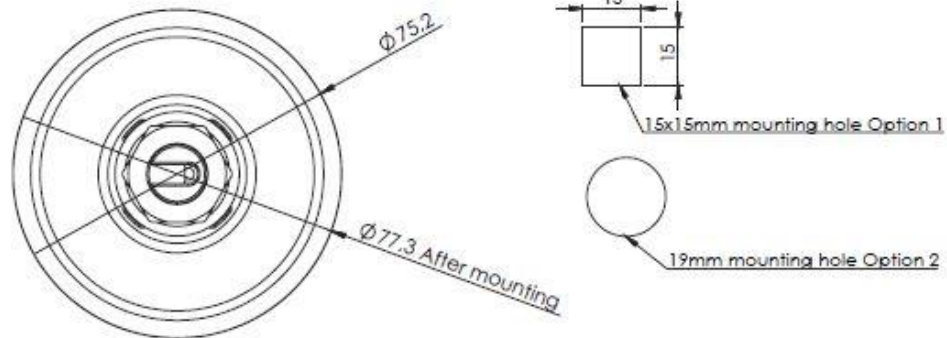
2m of DACAR 302 cable

Measured in certified CTIA 3D anechoic chamber

2. Mechanical and Environmental Specifications

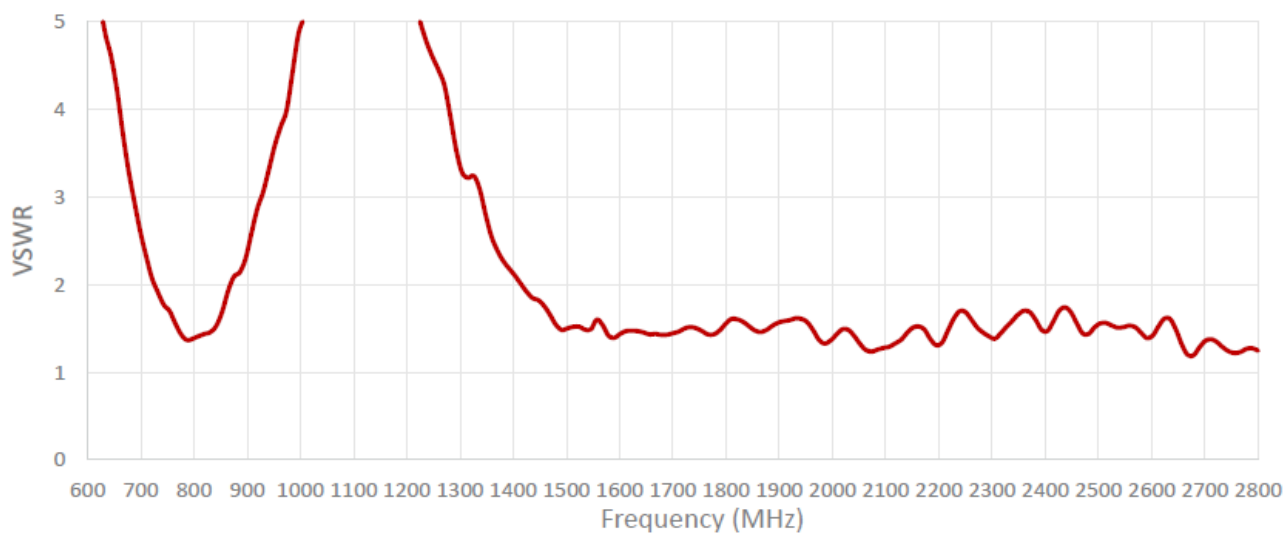
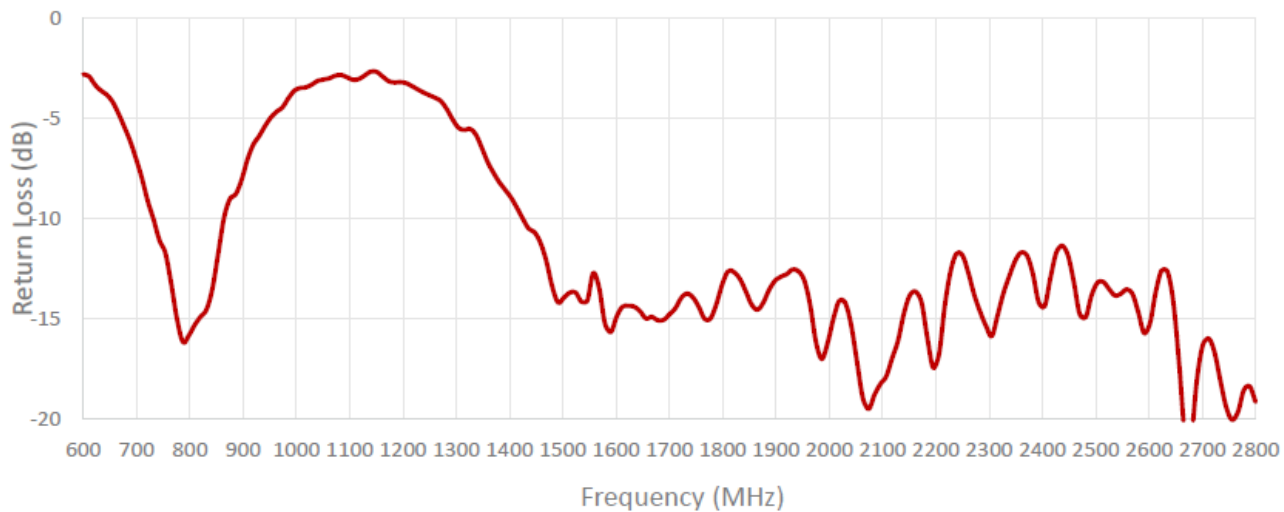
Mounting Type	Screw mount
Dimensions (mm)	Ø 77.3 x 65.5(h)
Radome	ASA
Radome Color	Black
Antenna Base	Zamak
Gasket	TPE
Operating Temperature	-40°C to +85°C
Storage Temperature (°C)	-40°C to +85°C
Substance Compliance	RoHS
Certificates	IP67, IP69K, IK09

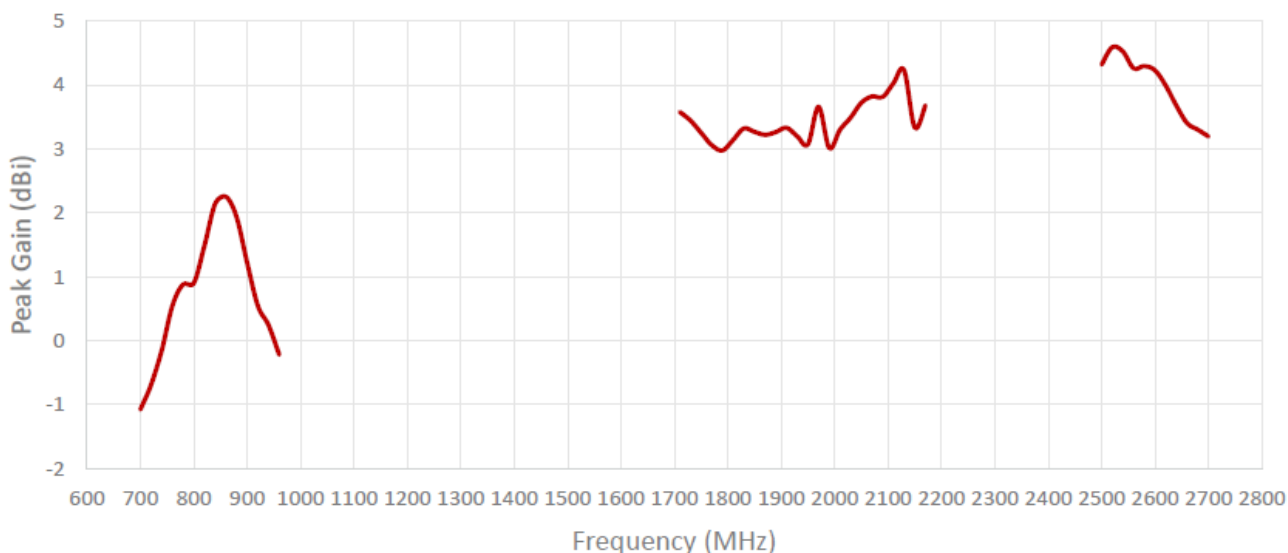
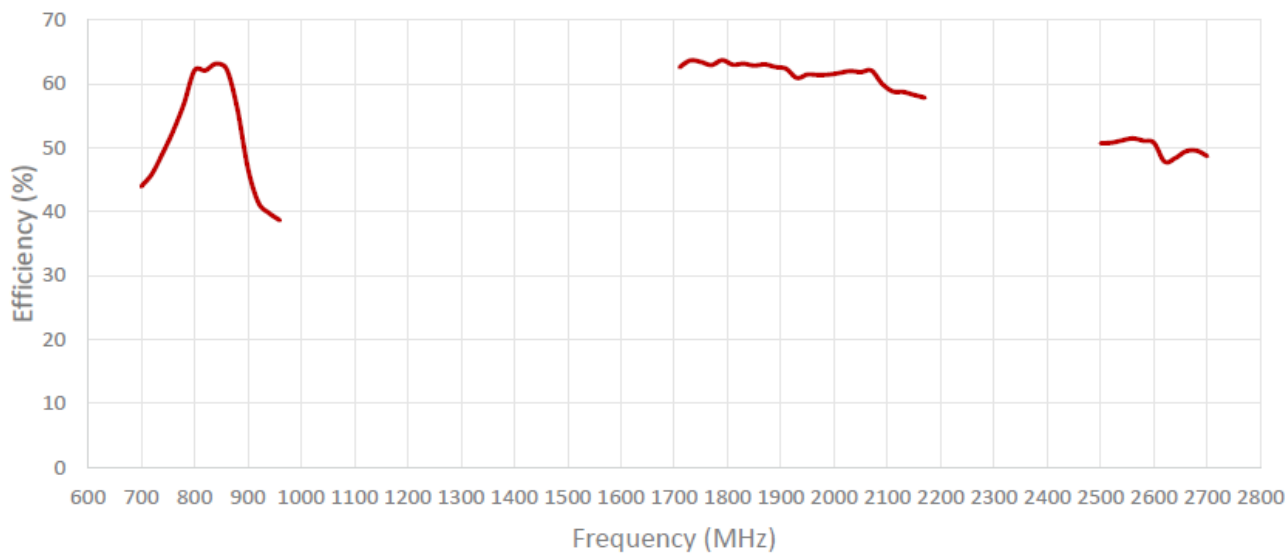
Recommended Torque	8 Nm
Wrench Size	22 mm

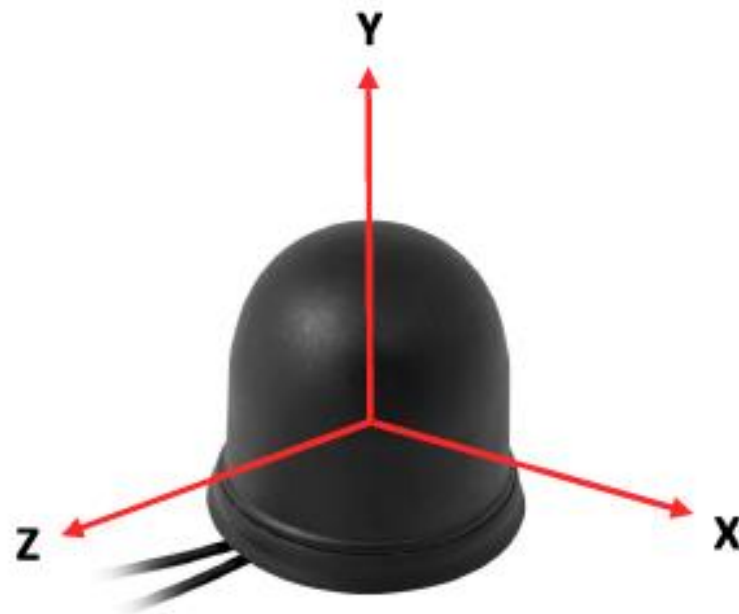
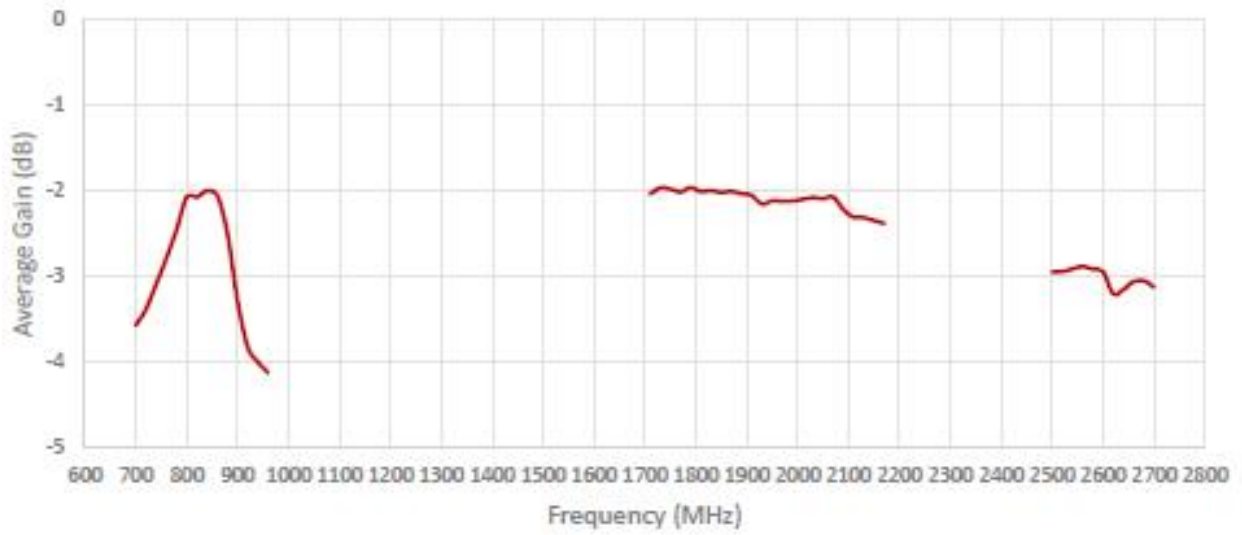




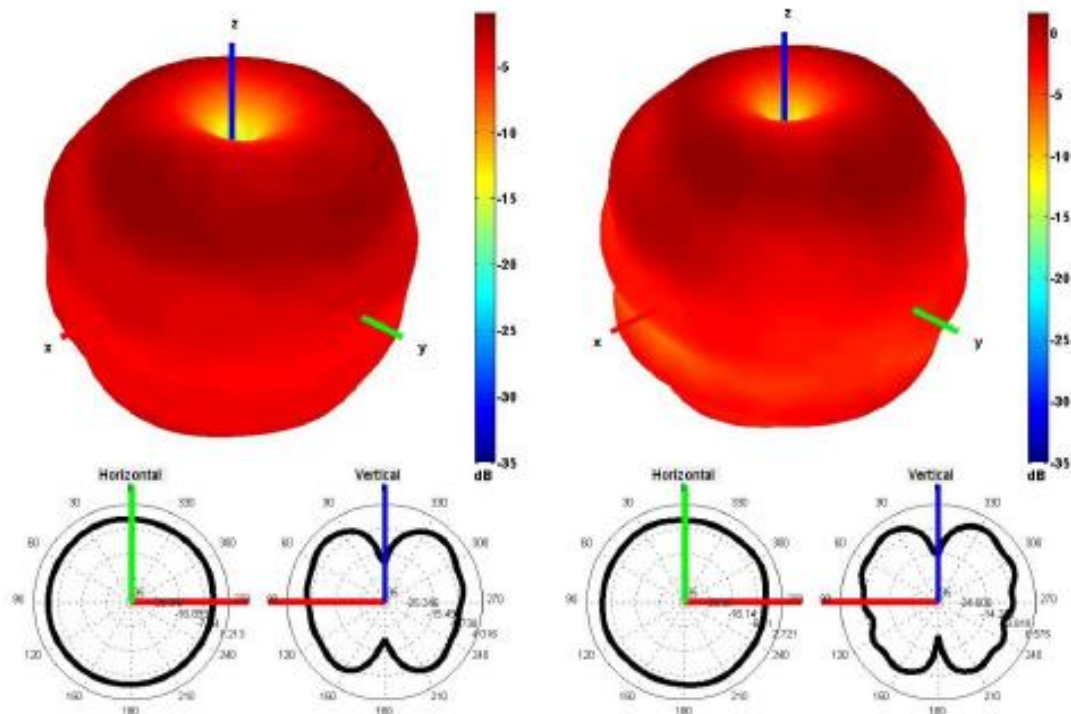
3. Antenna Parameters



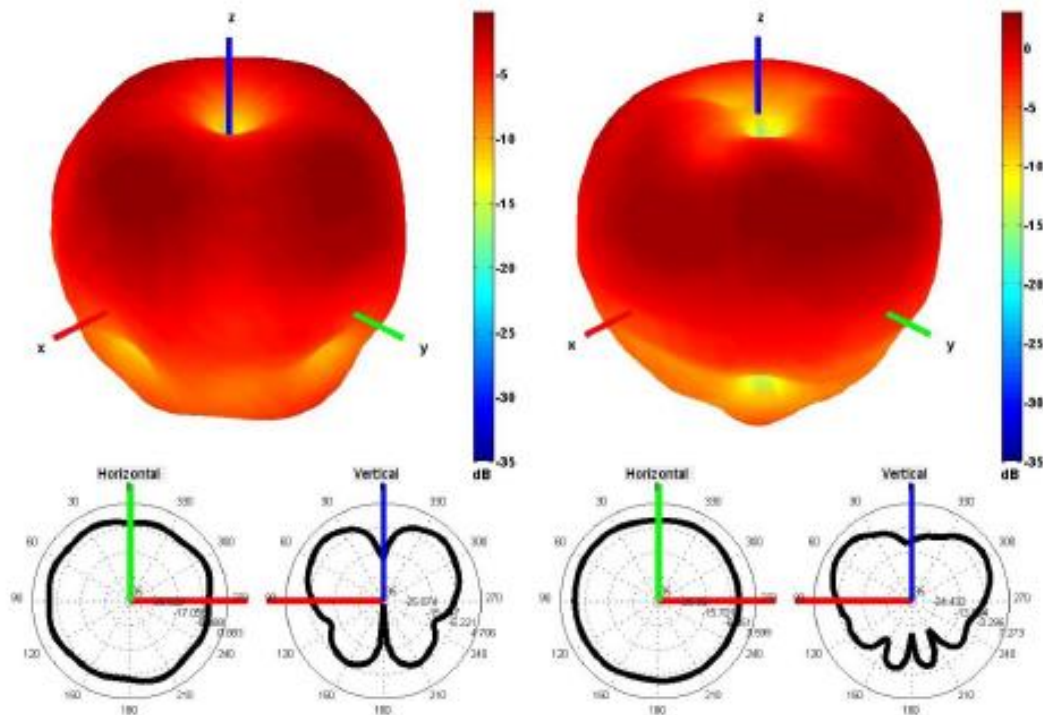




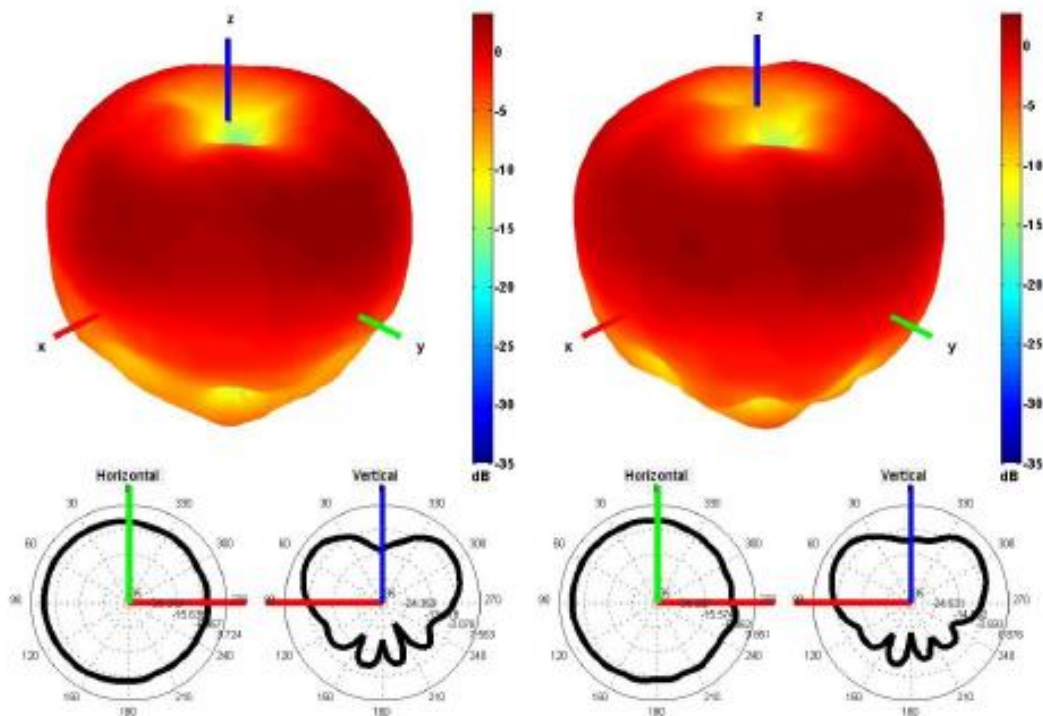
Radiation pattern reference



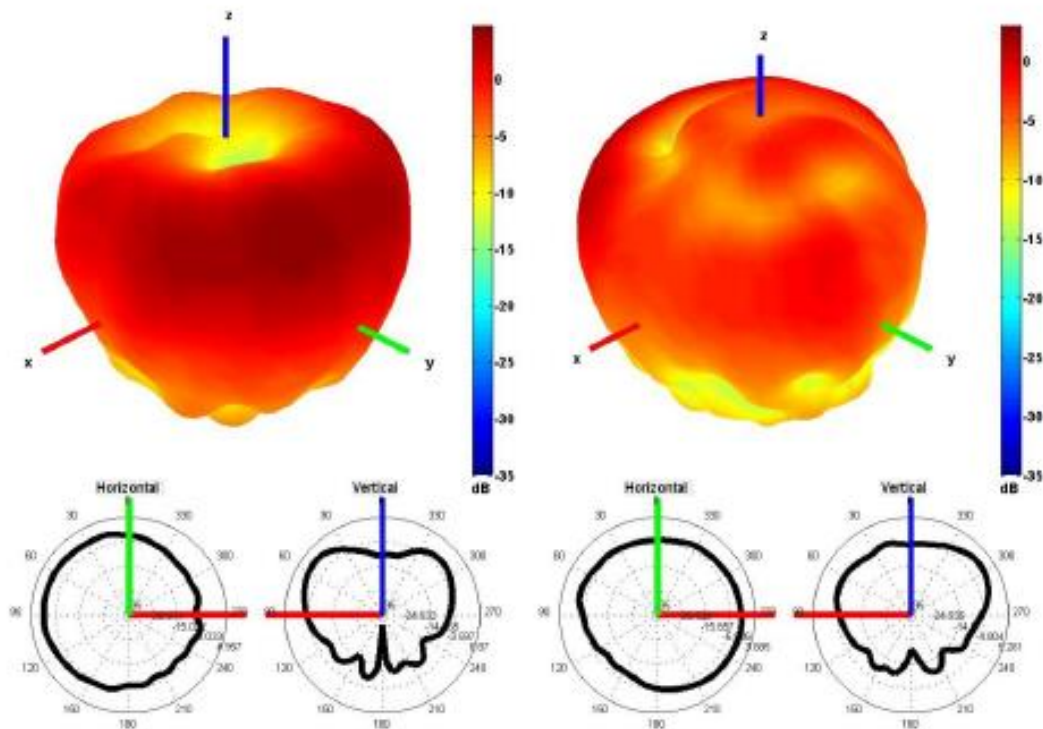
750 and 850 MHz Radiation pattern



940 and 1750 MHz Radiation pattern



1850 and 1950 MHz Radiation pattern



2100 and 2600 MHz Radiation pattern