

AMC-ANTGPM013T

Type	Embedded active patch GNSS Antenna
Frequencies	GPS (1575.42MHz) GLONASS (1592 - 1610 MHz)
Mounting	Embedded, double-sided adhesive



USA Tel: +1 561 744 9986 | Fax: +1 561 744 9935 | email: usasales@alphamicro.net
UK Tel: +44 (0)1256 851770 | Fax: +44 (0)1256 851771 | email: sales@alphamicro.net
www.alphamicro.net | www.alphamicrowireless.com

1. SPECIFICATION

1.1 Electrical Specifications

Frequencies	GPS (1575.42MHz) GLONASS (1592 – 1610MHz)
Impedance	50 Ohms
Noise Figure	1.5dB
Polarization	RHCP
LNA Gain	15dB
Voltage supply	1.5V – 3.6V
Current	4mA
Power handling	14.4mW
Operating temperature	-40°C to +85°C

1.2. Connection Specifications

Connector type: Specify

Cable: 1.13mm

Cable length: Specify

Please [consult our sales team](#) for different cable lengths and connector types.

Ordering Information		
Part Number	Cable Length / Type	Connector Type
AMC-ANTGPM013T-G050	50mm / 1.13mm \varnothing coax	U.FL

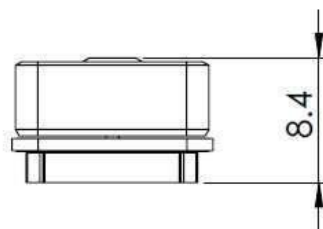
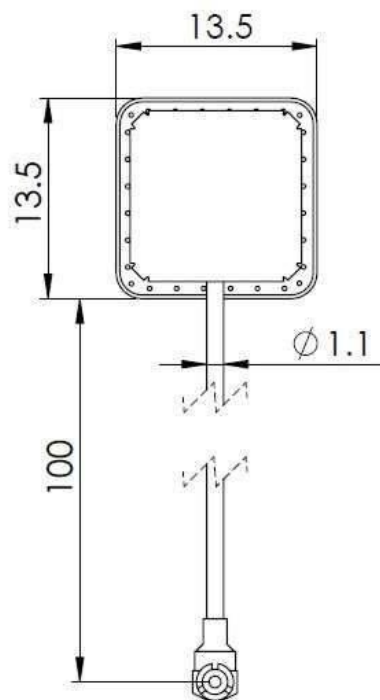


USA Tel: +1 561 744 9986 | Fax: +1 561 744 9935 | email: usasales@alphamicro.net
 UK Tel: +44 (0)1256 851770 | Fax: +44 (0)1256 851771 | email: sales@alphamicro.net
www.alphamicro.net | www.alphamicrowireless.com

1.3. Mechanical Specifications and Dimensions

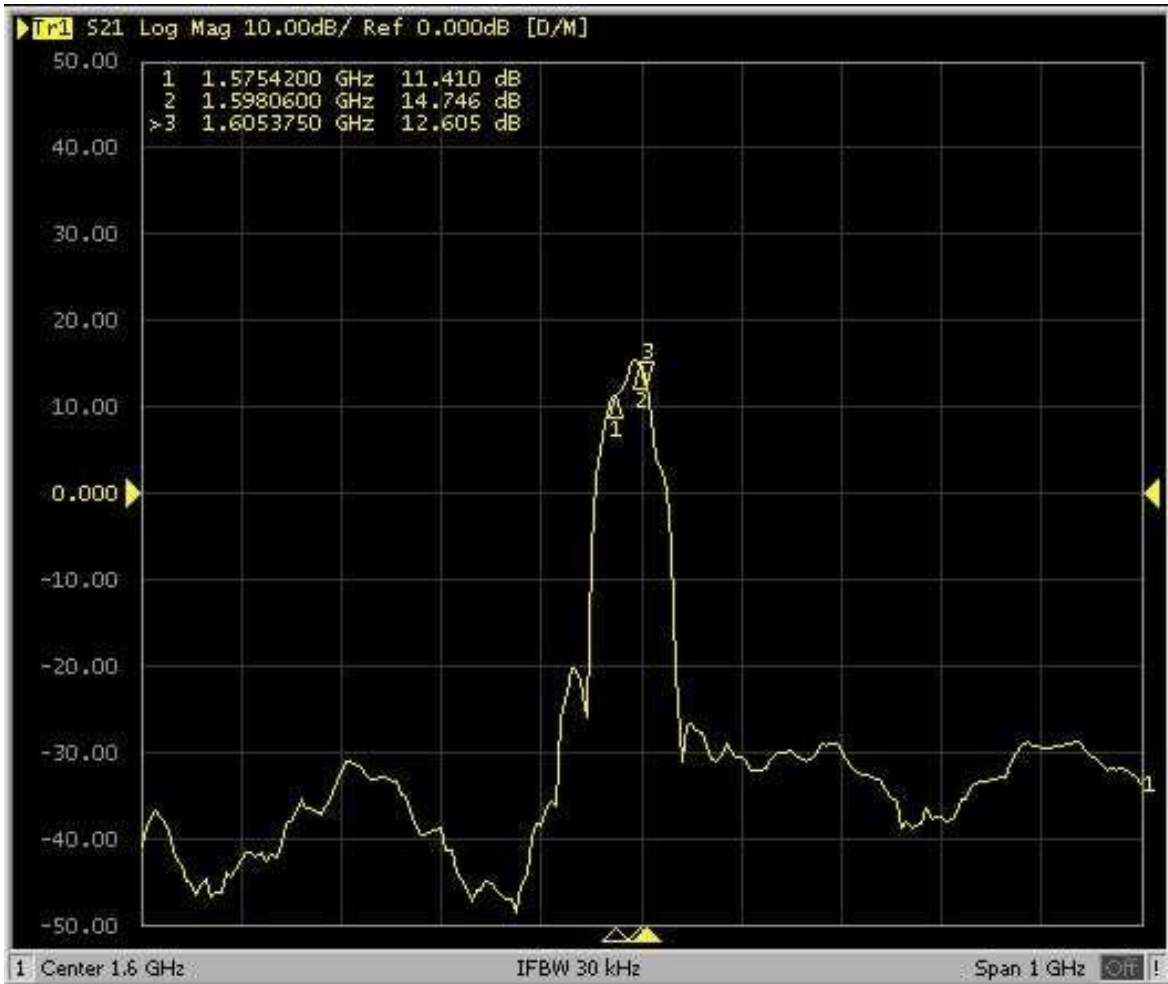
Dimensions: 8.4mm x 13.5mm x 13.5mm (H x L x W)

Weight: 62g (with 100mm cable and U.FL connector)



USA Tel: +1 561 744 9986 | Fax: +1 561 744 9935 | email: usasales@alphamicro.net
UK Tel: +44 (0)1256 851770 | Fax: +44 (0)1256 851771 | email: sales@alphamicro.net
www.alphamicro.net | www.alphamicrowireless.com

2. MEASUREMENT



USA Tel: +1 561 744 9986 | Fax: +1 561 744 9935 | email: usasales@alphamicro.net
UK Tel: +44 (0)1256 851770 | Fax: +44 (0)1256 851771 | email: sales@alphamicro.net
www.alphamicro.net | www.alphamicrowireless.com