

AMC-ANT6726BT

Type Iridium Antenna

Key Features

- Iridium
 - 1616 – 1627MHz
- Iridium certified
- Ground plane independent
- IP67/IP69K/IK09 ratings
- Screw mount



Iridium Test Report No. RPT-05399-IR

Certifications:



UK Tel: +44 (0)1256 851770 | Fax: +44 (0)1256 851771 | email: sales@alphamicro.net
www.alphamicro.net



1. Antenna and Electrical Specifications

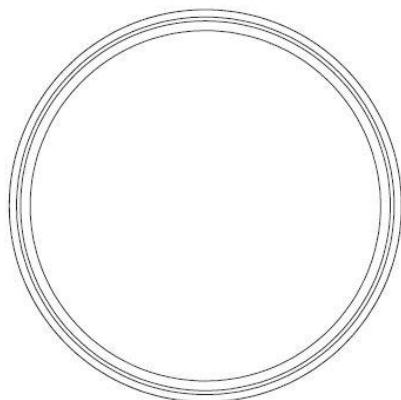
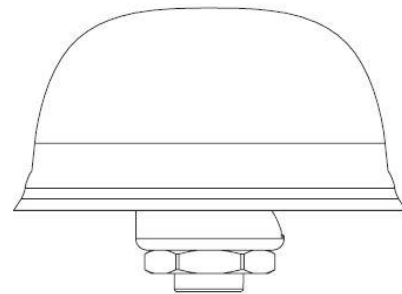
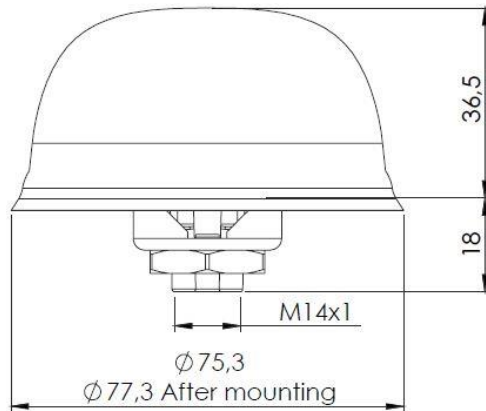
Parameters	Iridium Antenna
Standards	Iridium
Band (MHz)	1621
Frequency (MHz)	1616 - 1627
Return Loss (dB)	~-18.8
VSWR	~1.2:1
Efficiency (%)	~76
Peak Gain (dBic)	~4.5
Average Gain (dB)	~-1.1
Impedance (Ohms)	50
Axial Ratio (dB)	3 Max
Polarisation	Linear
Radiation Pattern	Hemispherical
Polarisation	RHCP
Connector Type	Specify (SMA male – standard)
Cable Length	Any cable length (3 meters – standard)
Cable Type	Other cables available (LMR100 – standard)

Measurement Conditions:

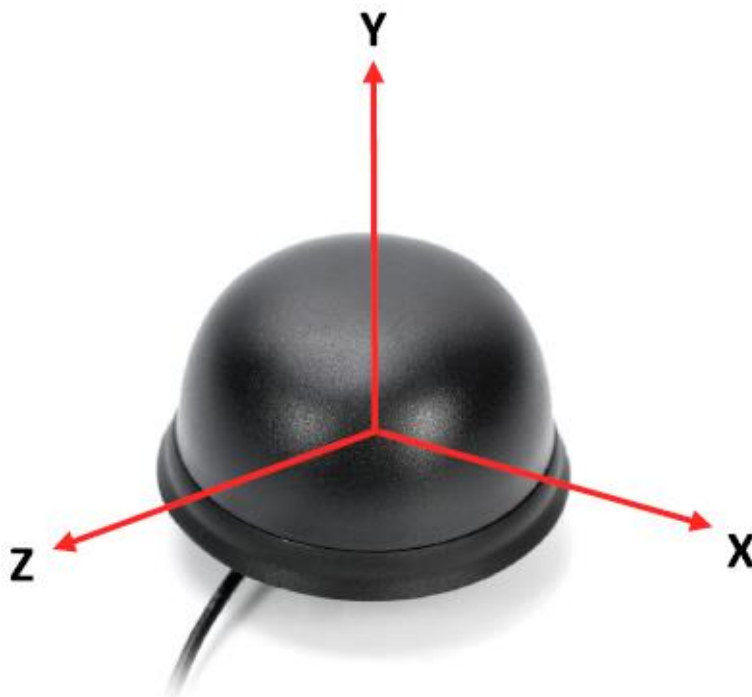
- Mounted on 70cm x 70cm ground plane
- No cable
- Measured in certified CTIA 3D anechoic chamber

2. Mechanical and Environmental Specifications

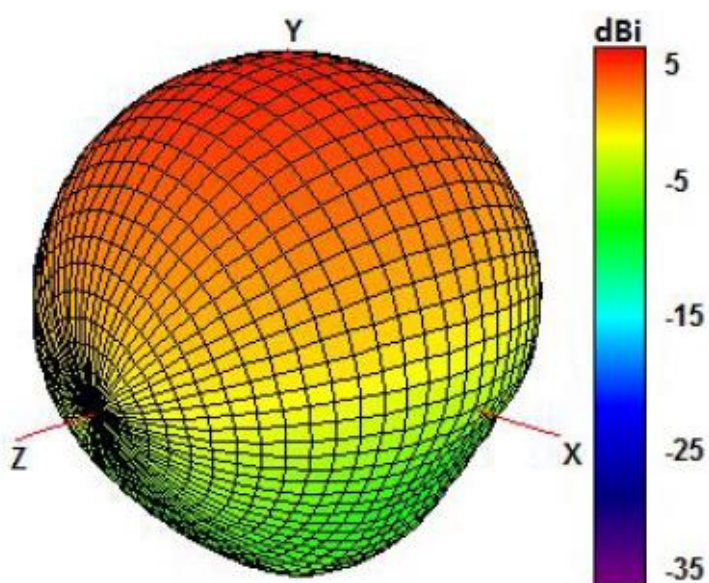
Mounting Type	Screw mount
Dimensions (mm)	Ø 77.3 x 36.5(h)
Radome	ABS or ASA
Colour	Black
Gasket	TPE
Antenna Base	Zamak
Operating Temperature (°C)	-40 to +85
Storage Temperature (°C)	-40 to +85
Certificates	Iridium certified, IP67, IP69K, IK09
Substance Compliance	RoHS



3. Antenna Parameters



Radiation pattern reference



1621 MHz Radiation pattern