

AMC-ANT866BT /AMC-ANT866BGT

| | |
|--------------------|--|
| Type | Multi-band External Antenna |
| Frequencies | AMPS (824 – 894MHz) GSM (900MHz) GPS (1575.42MHz) (AMC-ANT866BT & AMC-ANT866BGT) GLONASS (1572 – 1610MHz) (AMC-ANT866BGT only) DCS (1800MHz) PCS (1900MHz) 3G (UMTS 2100MHz) Wi-Fi/Bluetooth (2.4GHz) |
| Mounting | Body mounting |



USA Tel: +1 561 744 9986 | Fax: +1 561 744 9935 | email: usasales@alphamicro.net
UK Tel: +44 (0)1256 851770 | Fax: +44 (0)1256 851771 | email: sales@alphamicro.net
www.alphamicro.net | www.alphamicrowireless.com



1. SPECIFICATION

1.1. Electrical Specifications – Navigation Cable 1

| | |
|-----------------------|---|
| Frequencies | GPS (1575.42MHz) (AMC-ANT640BT & AMC-ANT640BGT) GLONASS (1572 – 1610MHz) |
| Impedance | 50 Ohms |
| Noise Figure | 1.15dB |
| Polarization | RHCP |
| LNA Gain | 26dB (3V) / 27dB (5V) |
| Current | 15mA – 25mA |
| Power (Max.) | 138mW |
| Operating temperature | -40°C to +85°C |

1.1. Electrical Specifications – 2.4GHz Cable 2

| | |
|-----------------------|--------------------------|
| Frequencies | Wi-Fi/Bluetooth (2.4GHz) |
| Impedance | 50 Ohms |
| Polarization | Vertical |
| Gain | 2dBi max. |
| VSWR | <2:1 |
| Operating temperature | -40°C to +85°C |

1.1. Electrical Specifications – Mobile Cable 3

| | |
|-----------------------|--|
| Frequencies | AMPS (824 – 894MHz) GSM (900MHz) DCS (1800MHz) PCS (1900MHz) 3G (UMTS 2100MHz) |
| Impedance | 50 Ohms |
| Polarization | Vertical |
| Gain | 2.2dBi max. |
| VSWR | <3:1 |
| Operating temperature | -40°C to +85°C |

1.2. Ordering Information

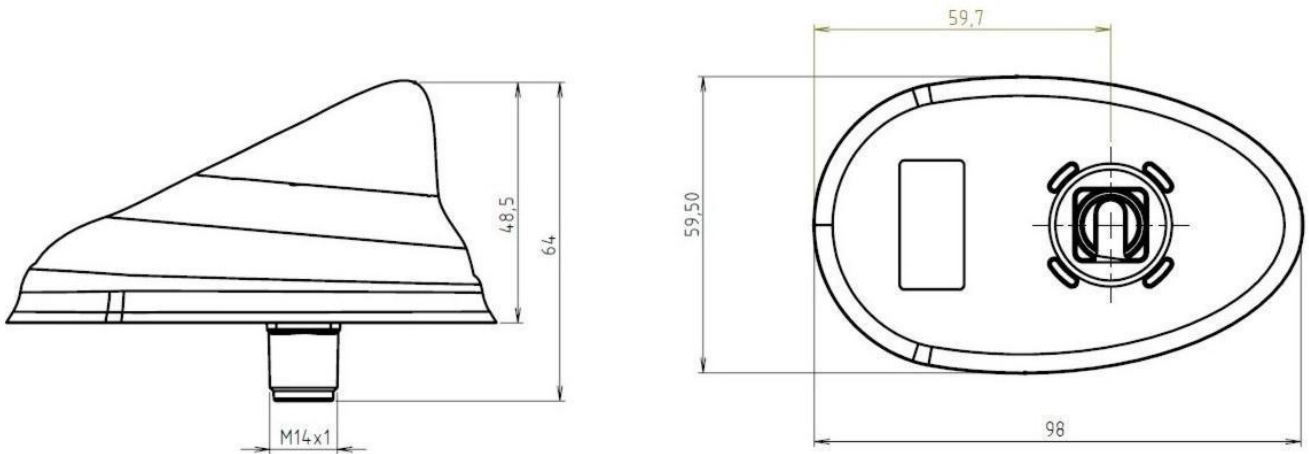
| Ordering Information | | |
|--------------------------------------|---------------------|----------------|
| Part Number | Cable Length / Type | Connector Type |
| AMC-ANT866BT-xyz (GPS only) | Specify / RG-174U | Specify |
| AMC-ANT866BGT-xyz (GPS & GLONASS) | Specify / RG-174U | Specify |

xyz – customised part number depending on cable length and connector types specified.

Please consult our sales team for different cable lengths and connector types.

1.3. Mechanical Specifications and Dimensions

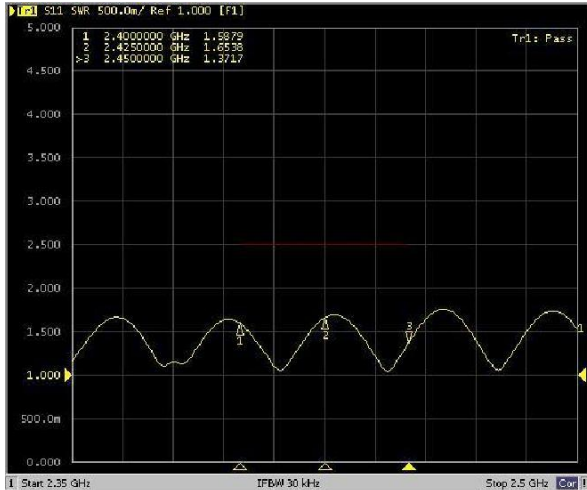
- Material: Housing – ABS
Base – Zamak
Gasket – TPE
- IP Rating: IP69K
- Max. dimensions: 64mm x 98mm x 48.5mm (depth exc. bolt)
- Mounting hole dimensions: Square – 15mm x 15mm
- Weight: 246g (based on 2.5m cable length)
- Colour: Black



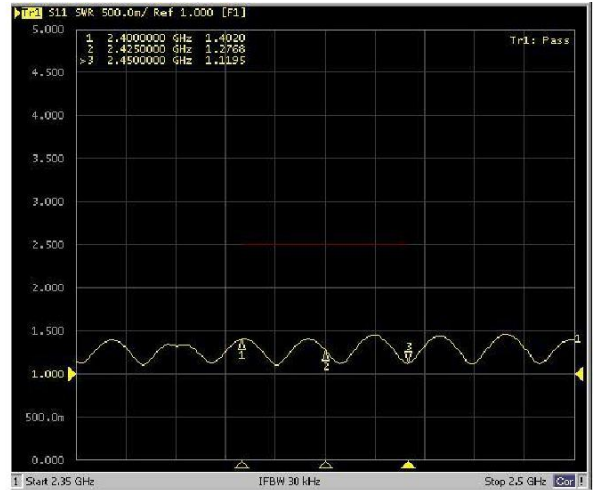


2. MEASUREMENT

VSWR (2.4GHz) – 3m cable



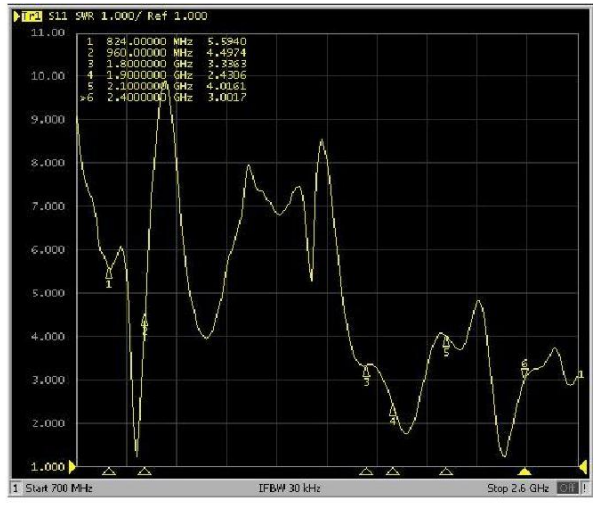
VSWR (2.4GHz) – 5m cable



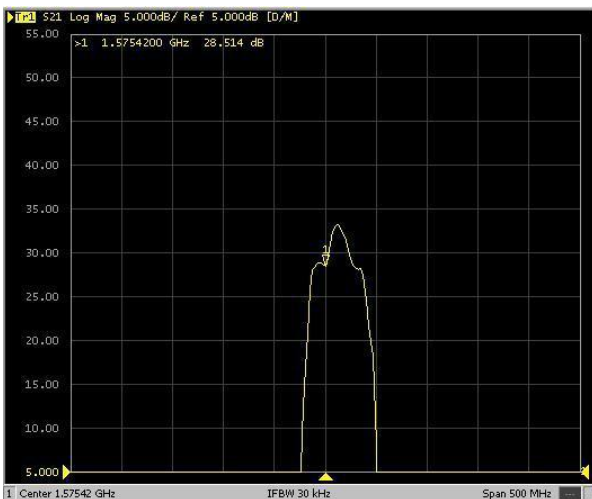
Log Mag (Quad Band) – 30cm cable



VSWR (Quad Band) – 30cm cable



Log Mag (GNSS)- 5V - 3m cable



Log Mag (GNSS) – 3V – 5m cable

