

AMC-ANT665BT

Type	Cellular/ISM/Wi-Fi/Bluetooth Antenna
Frequencies	AMPS (824 - 894MHz) ISM (868MHz) GSM (900MHz) DCS (1800MHz) PCS (1900MHz) 3G (UMTS 2.1GHz) Wi-Fi/Bluetooth (2.4GHz & 5GHz)
Mounting	Body mounting



USA Tel: +1 561 744 9986 | Fax: +1 561 744 9935 | email: usasales@alphamicro.net
UK Tel: +44 (0)1256 851770 | Fax: +44 (0)1256 851771 | email: sales@alphamicro.net
www.alphamicro.net | www.alphamicrowireless.com



1. SPECIFICATION

1.1. *Electrical Specifications*

Frequencies	AMPS (824 - 894MHz) ISM (868MHz) GSM (900MHz) DCS (1800MHz) PCS (1900MHz) 3G (UMTS 2.1GHz) Wi-Fi/Bluetooth (2.4GHz & 5 – 5.8GHz)
Impedance	50 Ohms
Polarization	Horizontal
Gain	Cellular: 2.2dBi Wi-Fi: 2dBi max. at 2.4GHz
VSWR	<2:1
Protection	IP69K
Operating temperature	-40°C to +85°C

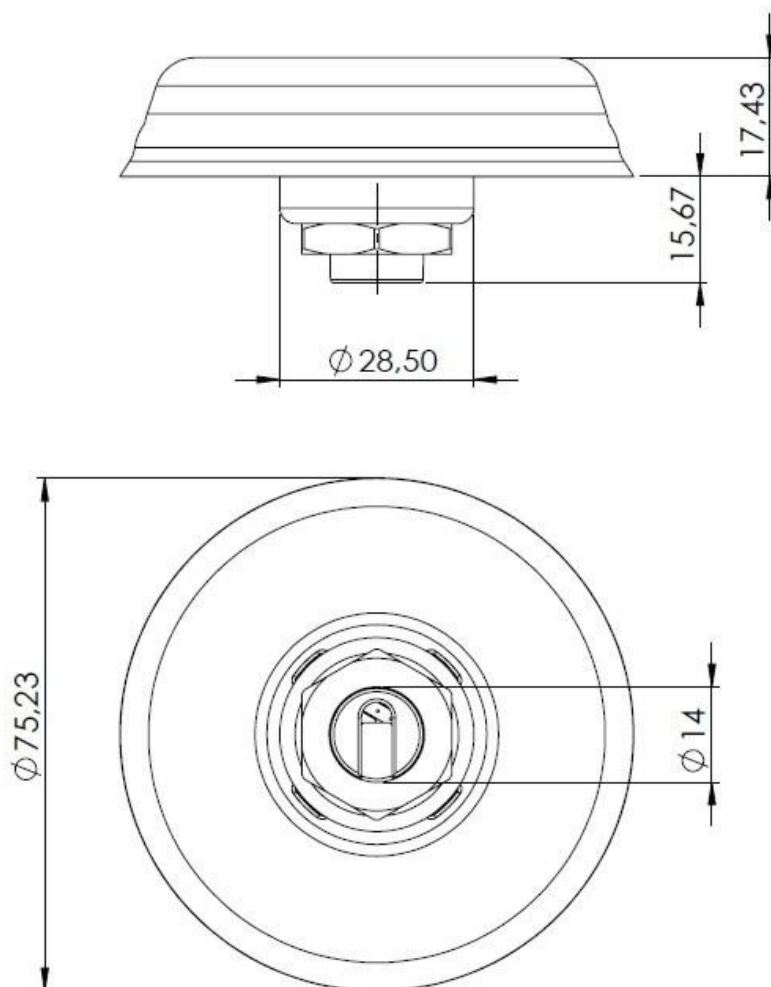
1.2. *Connection Specifications*

Ordering Information		
Part Number	Cable Lengths / Type	Connector Types
AMC-ANT665BT-AA1M	1.0m / RG-174	Cellular – SMA (M) / Wi-Fi – SMA (M)

Please consult our sales team for different cable lengths and connector types.

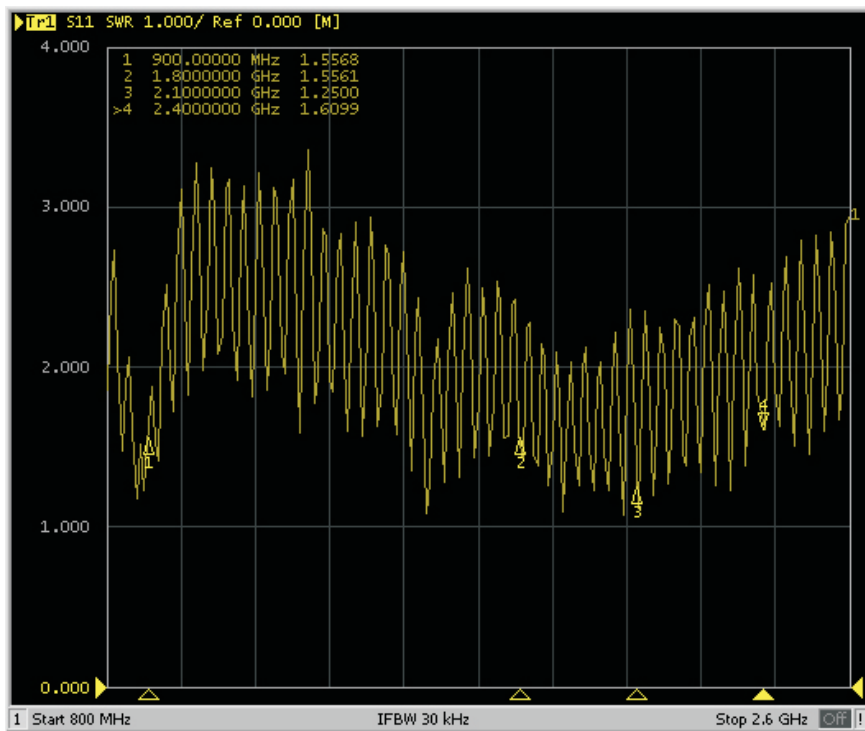
1.3. Mechanical Specifications and Dimensions

Material:	Housing – ABS Base – Zamak Gasket - TPE
Max. dimensions:	77.4mm (Dia.) x 15.9mm (depth when mounted, exc. bolt)
Bolt:	Bolt height – 16mm Bolt Diameter – M14 Nut size – M14
Colour:	Black



2. MEASUREMENT

Cellular



Wi-Fi

