

AMC-ANT230GPT

Type Bluetooth & Dual Band Wi-Fi Antenna

Key Features

- 2.4/5.0 GHz ISM
 - 2410 - 2490MHz
 - 4920 – 5925MHz
- Wall mount
- High gain
- Ground plane independent



Certifications:



UK Tel: +44 (0)1256 851770 | Fax: +44 (0)1256 851771 | email: sales@alphamicro.net
www.alphamicro.net

Rev. 2 – 28 September 2018

1. Antenna and Electrical Specifications

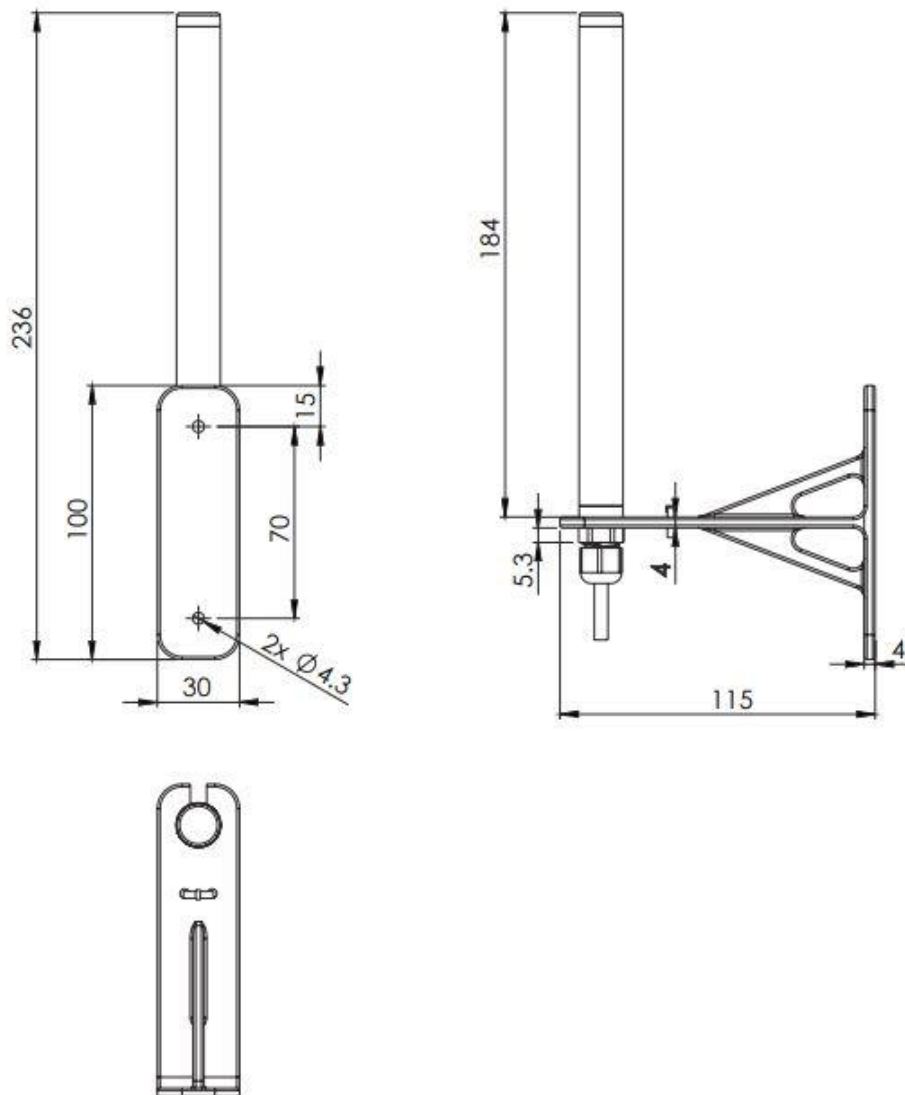
Parameters	2.4/5.0GHZ ISM Antenna	
Standards	Wi-Fi, Bluetooth, ZigBee, ISM	
Band (GHz)	2.4	5.0
Frequency (MHz)	2410 - 2490	4920 - 5925
Return Loss (dB)	~-10	~-10
VSWR	~1.9:1	~1.9:1
Efficiency (%)	~55	~54
Peak Gain (dBi)	~2.9	~4.0
Average Gain (dB)	~-2.6	~-2.7
Impedance (Ohms)	50	
Polarisation	Linear	
Radiation Pattern	Omni-Directional	
Max. Input Power (W)	25	
Connector Type	Specify (SMA male – standard)	
Cable Length	Any cable length (3 metres – standard)	
Cable Type	Other cables available (LMR195 – standard)	

Measurement Conditions:

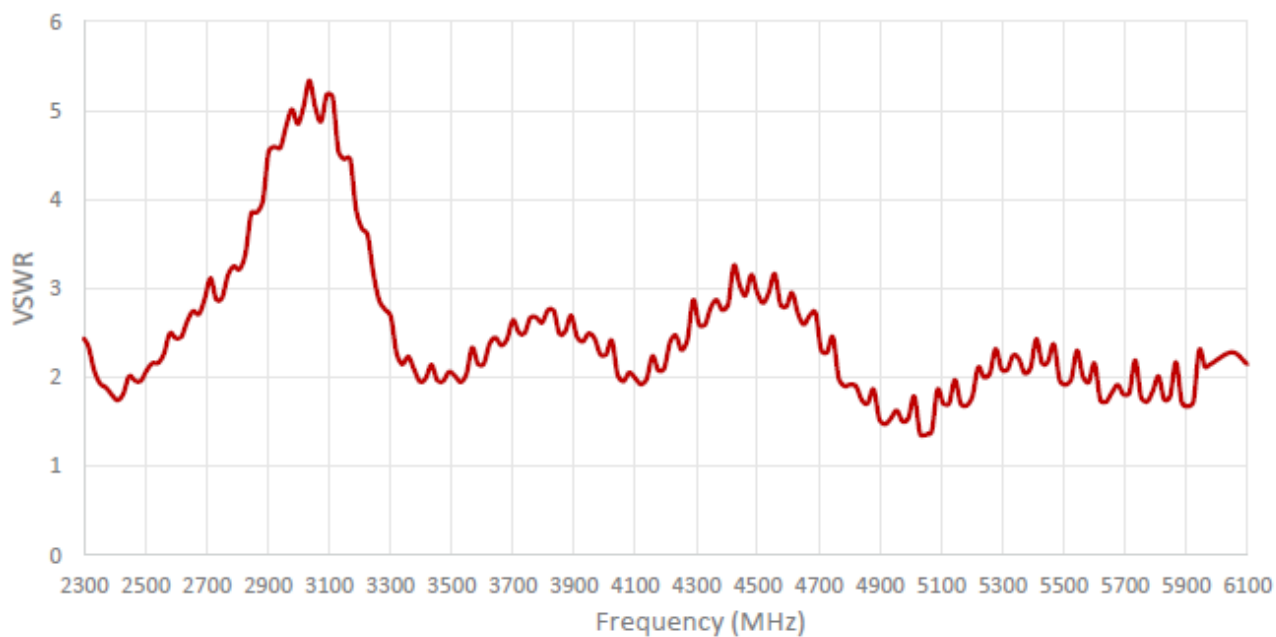
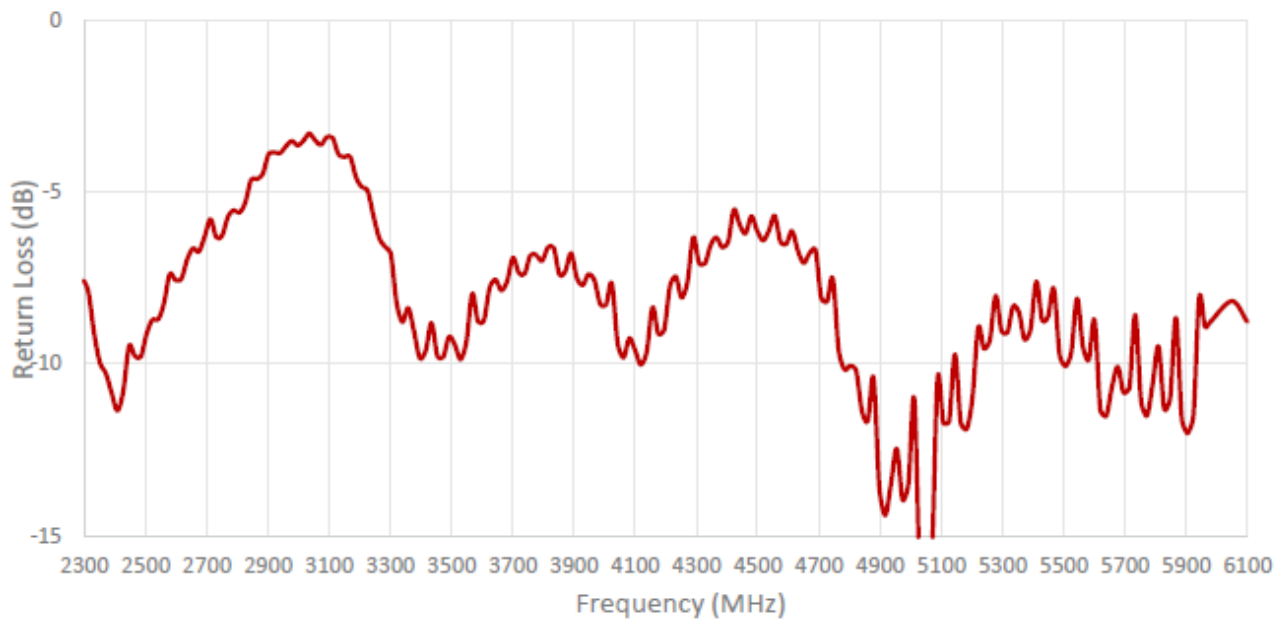
- Free space
- 2 meters LMR195 cable
- Measured in certified CTIA 3D anechoic chamber

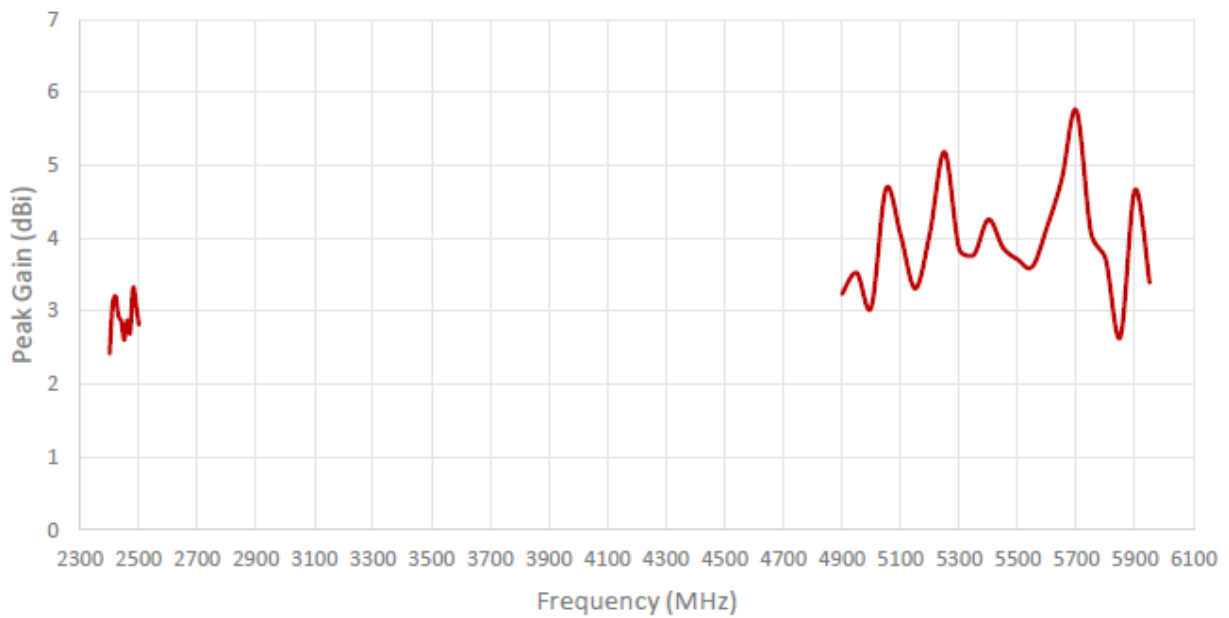
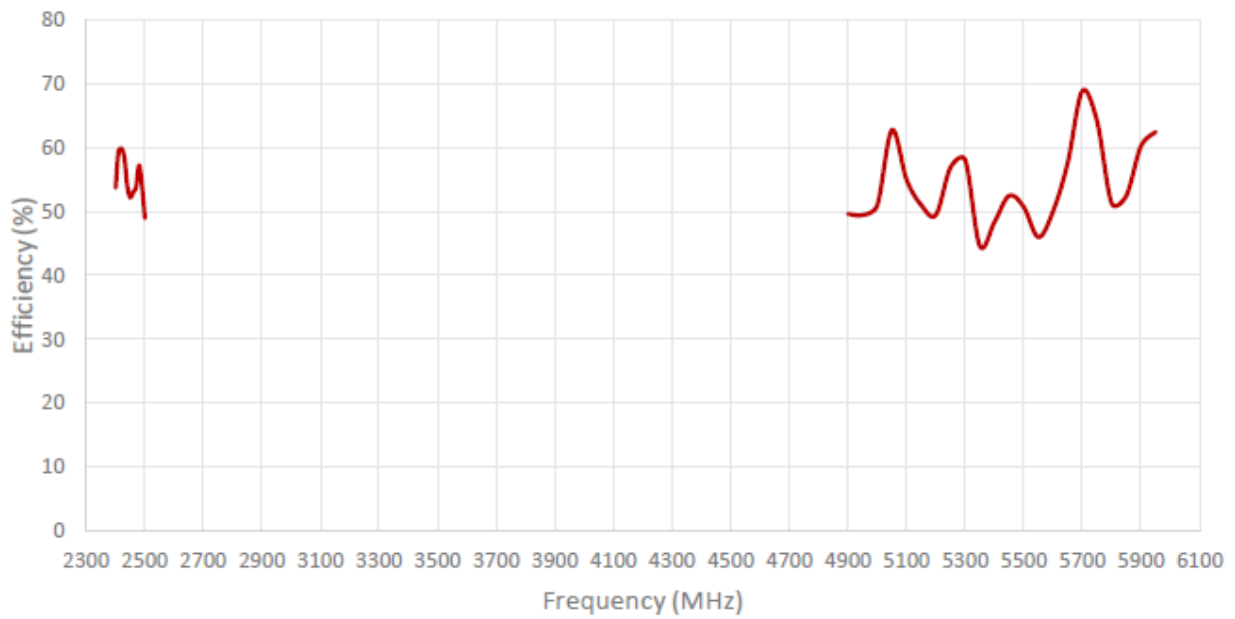
2. Mechanical and Environmental Specifications

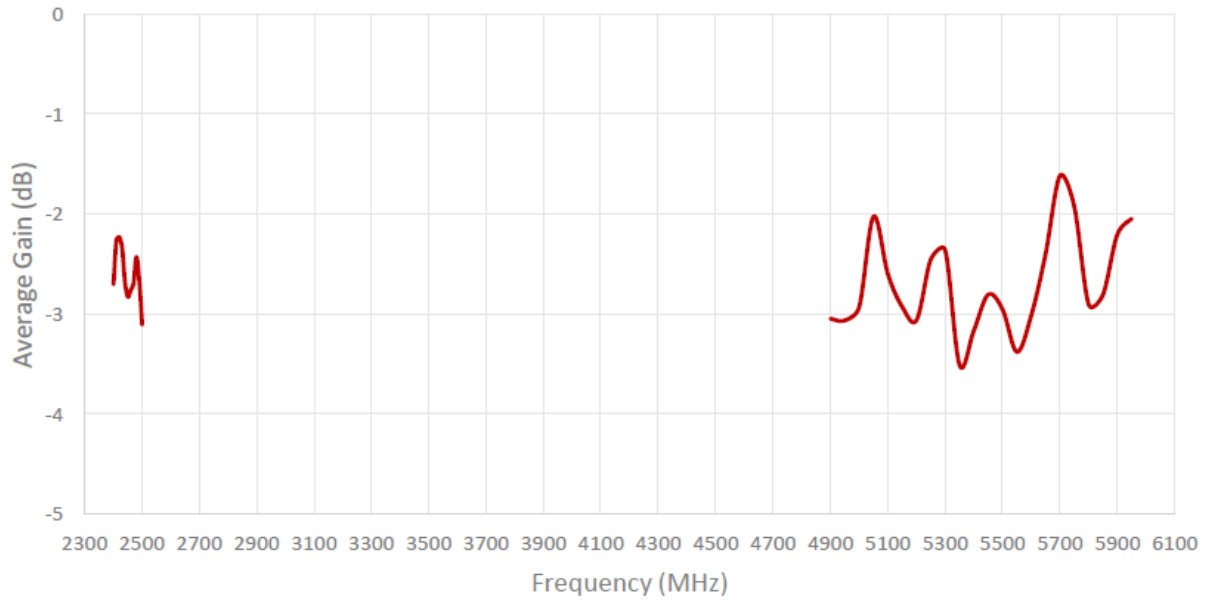
Mounting Type	Wall mount
Dimensions (mm)	208.3 x 16
Radome & Bracket	PC/ABS UV stable
Colour	Black
Operating Temperature (°C)	-40 to +85
Storage Temperature (°C)	-40 to +85
Substance Compliance	RoHS



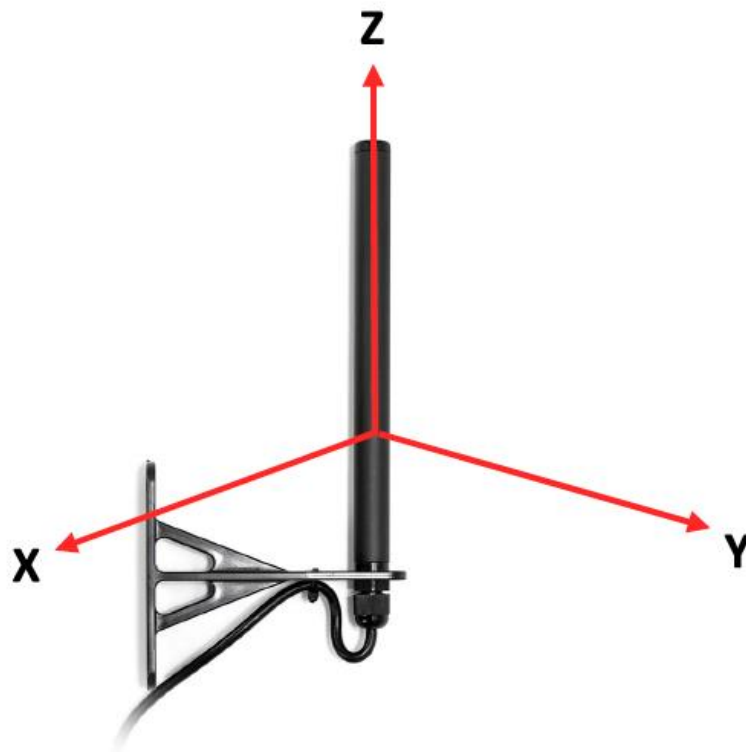
3. Antenna Parameters

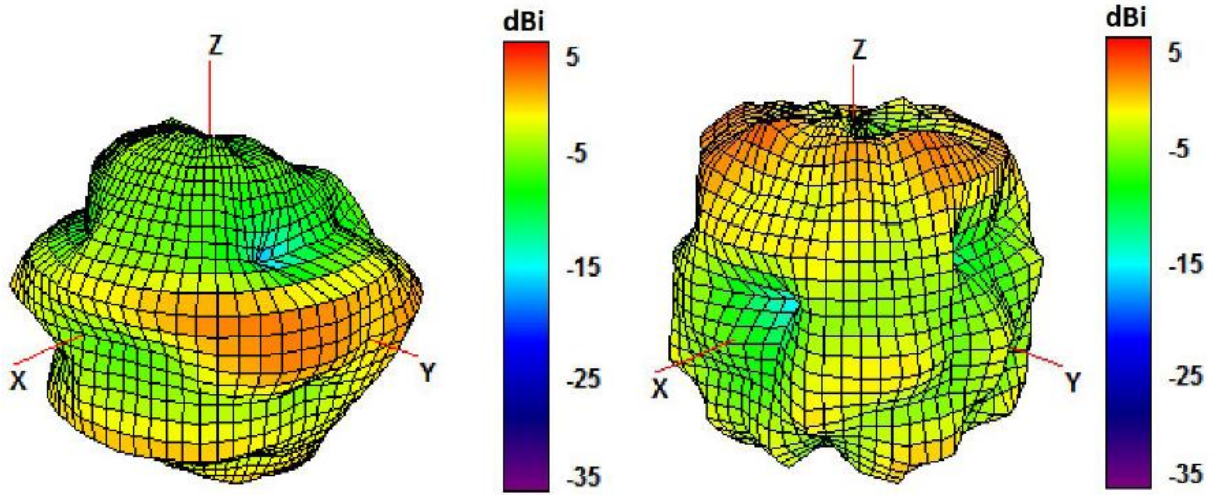






Radiation Pattern Reference





2450 and 5500 MHz Radiation pattern