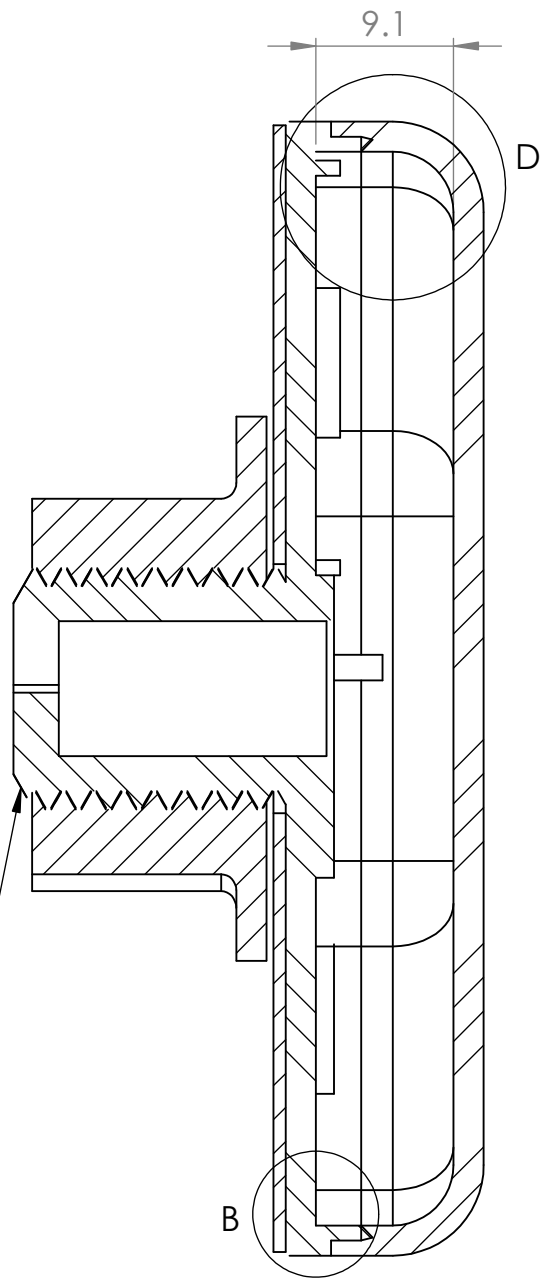
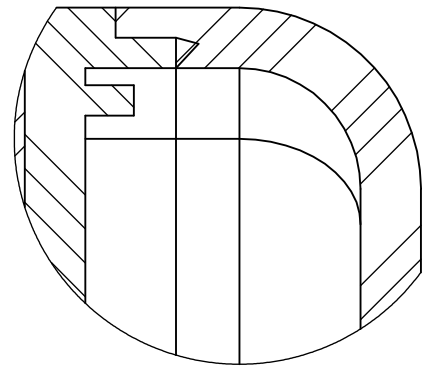


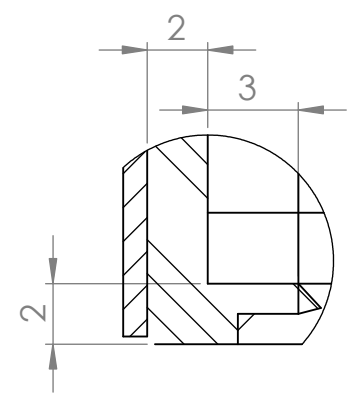
M16 THREAD  
CLEARANCE HOLE  
16.5MM



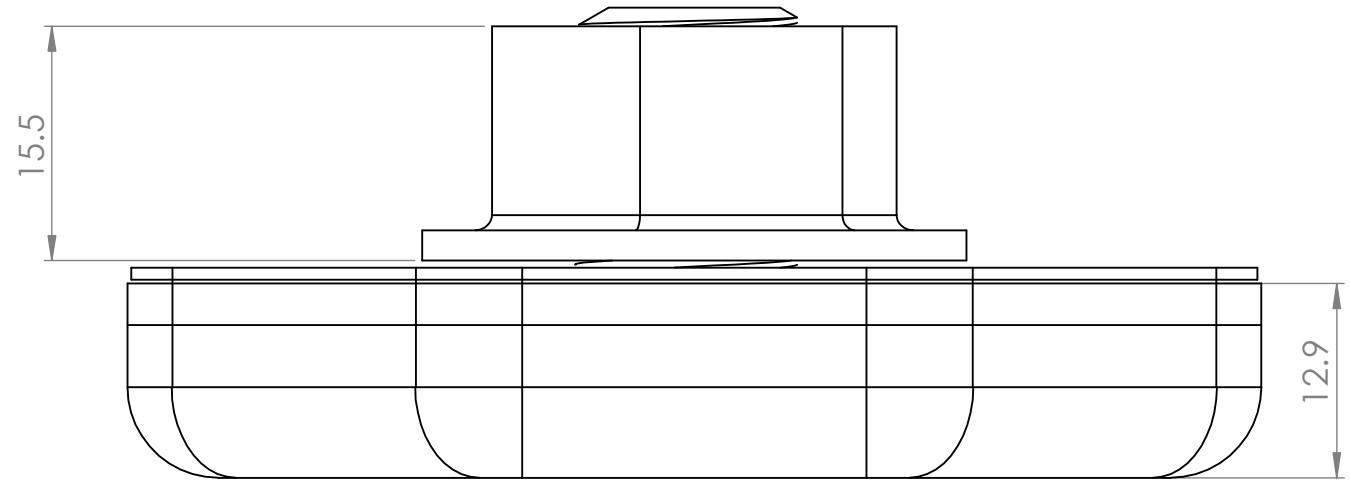
SECTION A-A  
SCALE 2 : 1



DETAIL D  
SCALE 4 : 1



DETAIL B  
SCALE 4 : 1



UNLESS OTHERWISE SPECIFIED: DIMENSIONS ARE IN MILLIMETERS SURFACE FINISH: TOLERANCES: LINEAR: ANGULAR:				FINISH:		DEBUR AND BREAK SHARP EDGES		DO NOT SCALE DRAWING		REVISION	
DRAWN				NAME		SIGNATURE		DATE		<b>AMC-ANTGSGPB2</b>	
CHK'D											
APPV'D											
MFG											
Q.A											
								MATERIAL:		A3	
								WEIGHT:			
								SCALE:1:2		SHEET 1 OF 1	