

AMC-ANTGSGPBM6
GPS/GSM COMBINATION ANTENNA



GSM Multi-Band Antenna

Frequency:	850MHz 900MHz 1800MHz 1900MHz 2100MHz
Gain:	2.5dBi
VSWR:	Less than 2.0:1 in all bands
Impedance:	50Ω

GPS Active Antenna – Circular Polarisation

Frequency:	1575.42MHz ± 1.023MHz
Polarisation:	RHCP
LNA Gain:	30 – 37dB (PS: 3V/32dB)
Filter (out of band attenuation): (fo = 1575.42MHz)	Dielectric filter 7dB min fo±20MHz 20dB min fo±50MHz 30dB min fo±100MHz
Output VSWR:	2.0 max

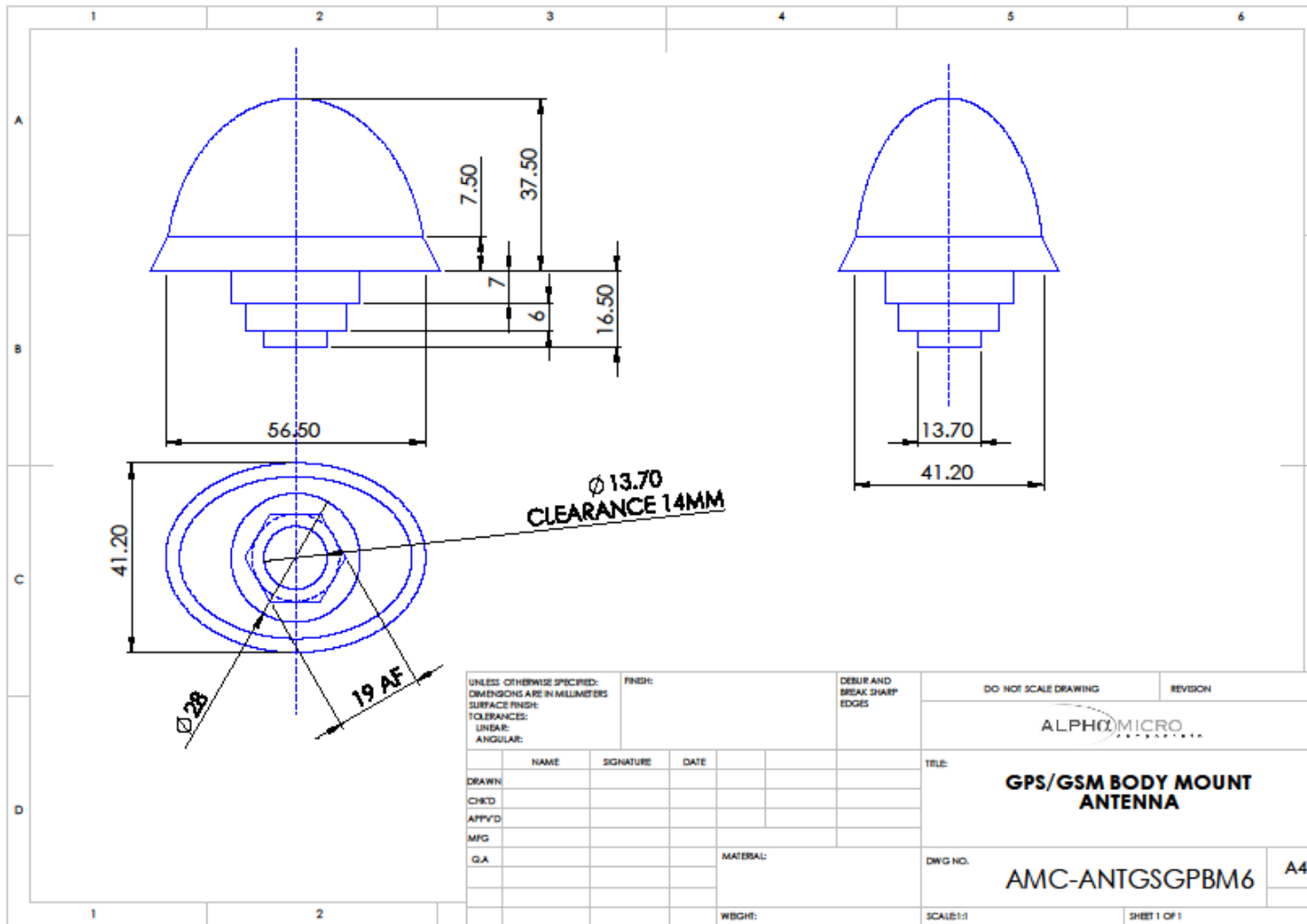
Antenna

Noise Figure:	1.5dB typical (PS: 3V/1.5dB)
Voltage:	DC = 2.7 – 5.5V
Current:	9 -23mA (PS: 3V/10mA)
Power Consumption	27mW (max.)
Impedance:	50Ω

Physical Data

Material: Black ABS polymer (weatherproof), rubber skirt
 Mounting: Bolt mounting
 Thread Data: M14 x 0.75
 Operating Temp: -30°C to +80°C
 Cable Length: GPS: Customer specified - RG-174 (-0mm, +100mm)
 GSM: Customer specified - RG-174 (-0mm, +100mm)
 Connectors: Customer specified Nickel-plated brass crimp type

Ordering Information		
Part Number	Cable length & type	Connector Type
AMC-ANTGSGPBM6-AA203	203mm RG-174	GSM – SMA (m) / GPS – SMA (m)
AMC-ANTGSGPBM6-AA300	300mm RG-174	GSM – SMA (m) / GPS – SMA (m)
AMC-ANTGSGPBM6-AA3M	3m RG-174	GSM – SMA (m) / GPS – SMA (m)
AMC-ANTGSGPBM6-AA5M	5m RG-174	GSM – SMA (m) / GPS – SMA (m)
AMC-ANTGSGPBM6-AO150	150mm RG-174	GSM – SMA (m) / GPS – MCX (m) R/A
AMC-ANTGSGPBM6-JA3M	3m RG-174	GSM – FME (f) / GPS – SMA (m)



USA Tel: +1 561 744 9986 | Fax: +1 561 744 9935 | email: usasales@alphamicro.net
 UK Tel: +44 (0)1256 851770 | Fax: +44 (0)1256 851771 | email: sales@alphamicro.net
www.alphamicro.net