

AMC-ANTBGPAB01

Type	External GPS Antenna
Frequencies	GPS (1575.42MHz)
Mounting	Body mounting, adhesive pad at base



1. Specifications

1.1 Antenna Specifications

Centre frequency	1575.42MHz
Bandwidth	CF \pm 5MHz
Impedance	50 Ohms
Polarization	RHCP
Gain	2dBic (Zenith)
VSWR	<1.5:1
Axial ratio	3dB (max.)
Patch dimensions	25 x 25 x 4mm

1.2 LNA Specifications

Gain	28 \pm 2dB
Noise figure	<1.5
Filter insertion loss	<3dB
Ex band attenuation	12db @ CF + 50MHz/16dB @ CF – 50MHz
Supply voltage	2.2 – 5VDC
Current consumption	5 – 15mA
VSWR	<2.0:1

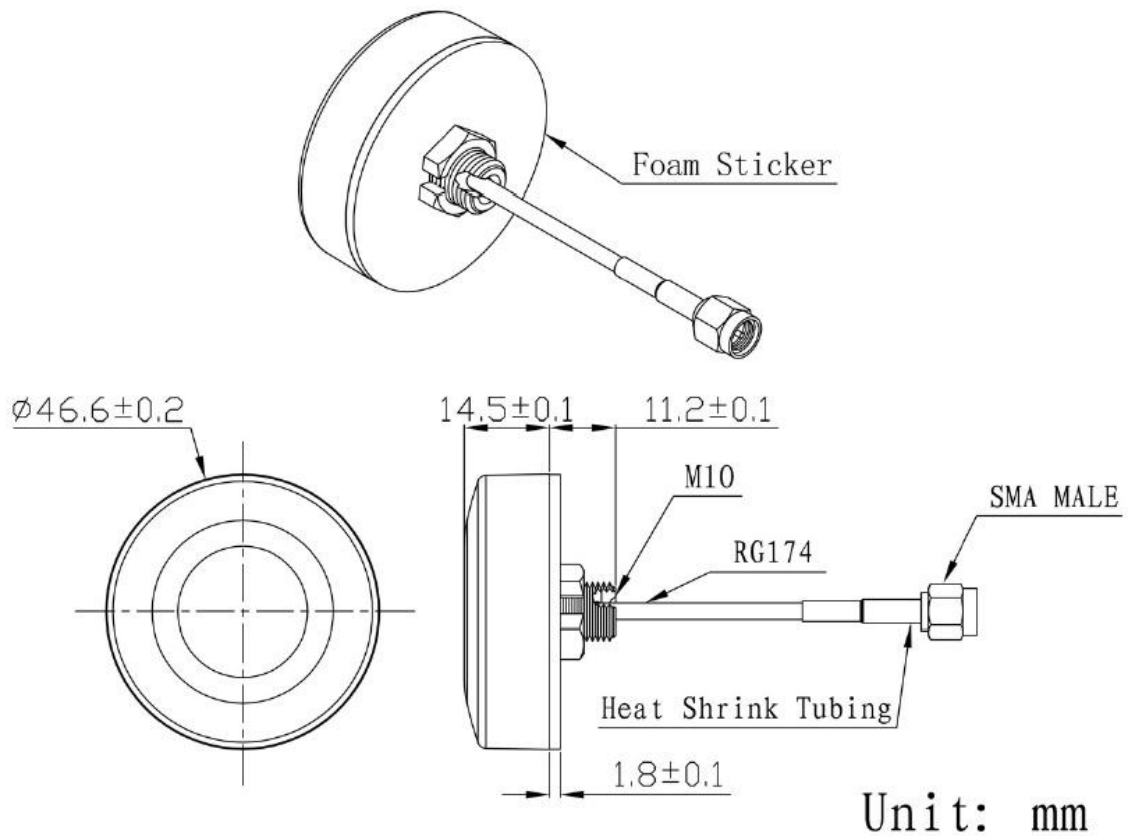
1.3 Mechanical Specifications

Cable	RG174
Connector	Specify
Radome material	ABS
Ex band attenuation	12db @ CF + 50MHz/16dB @ CF – 50MHz
Mounting method	Screw

1.4 Environmental Specifications

Operating temperature	-40°C to +85°C
Relative humidity	Up to 95%
Ingress protection	Meets IP65 to IP67 (excluding cable outlet)
Vibration	10 to 55Hz with 1.5mm amplitude (for 2 hours)
Compliance	RoHS compliant

1.5 Dimensions



2. Plots

