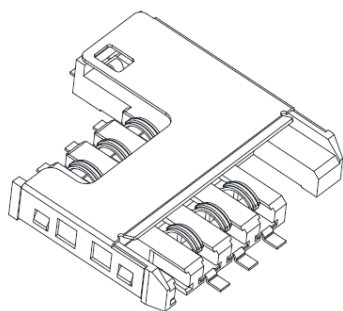


# AMC-ICC-313-6PA-R

6 Pin 2FF SIM Card Reader, with card detection, without mounting posts



## TECHNICAL CHARACTERISTICS

### 1. General Characteristics

Dimensions: 15.85L x 16.50W x 3.00H mm  
 Weight: Approx. 0.69 g  
 Contact principle: Friction technology  
 Operating position: Shaft Up/Down/Horizontal  
 Mounting system: SMT Type (without post)  
 Durability: 10,000 cycles min.

### 2. Mechanical Characteristics

Insulation material: Thermoplastic, UL 94V-0  
 RoHS Directive 2011/65/EU Compliant

### 3. Electrical Characteristics

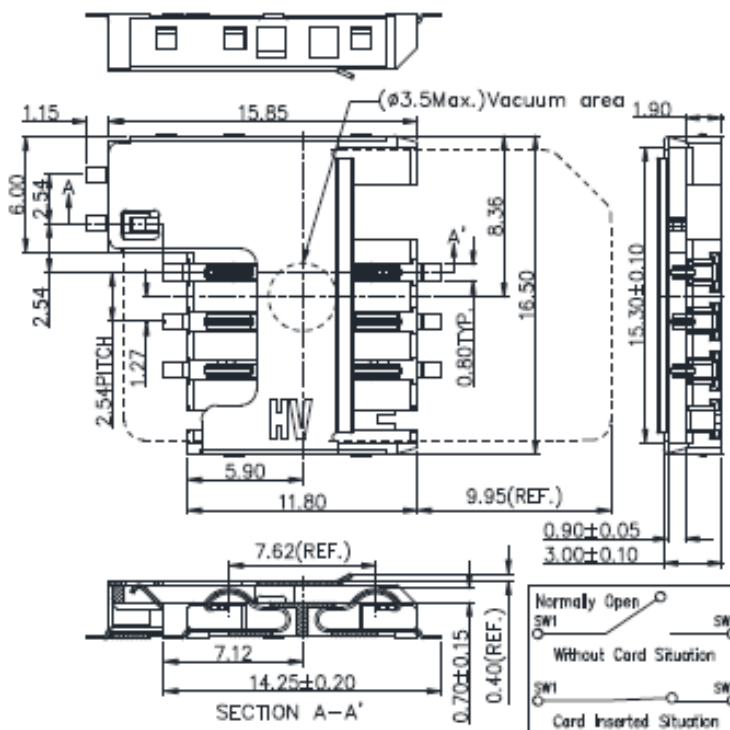
Number of contacts: 6 pins  
 Contact resistance: 50 mΩ typical, 100 mΩ max  
 Insulation resistance: >1000 MΩ / 500 VDC  
 Switch type: Blade  
 Operation: Normally open

### 4. Solderability

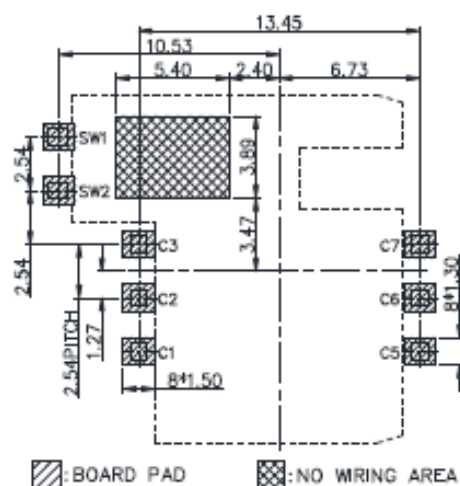
Wave: Not applicable  
 IR reflow: 260°C, 10 sec. Max.  
 Manual soldering: 360°C, 3 sec. Max.

### 5. Environmental Characteristics

Operating temperature: - 40°C ~ + 85°C  
 Operating humidity: 10 % ~ 95 % RH  
 Storage temperature: - 40°C ~ + 85°C  
 Storage humidity: 10 % ~ 95 % RH



Unit: mm; Tolerances: ±0.15 mm  
**Mechanical outline dimension**



Unit: mm; Tolerances: ±0.05 mm  
**Reference dimension for PCB Layout**

## AMC SIM Card Connector AMC-ICC-313

Revision: 2.0

Date: 03 Sep 2013